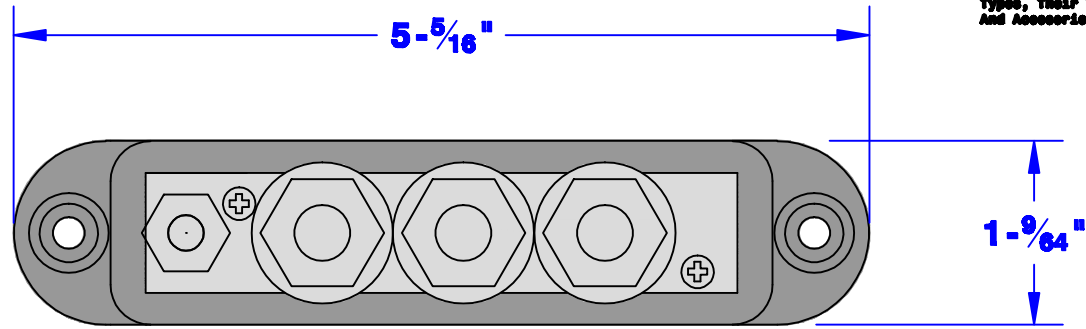
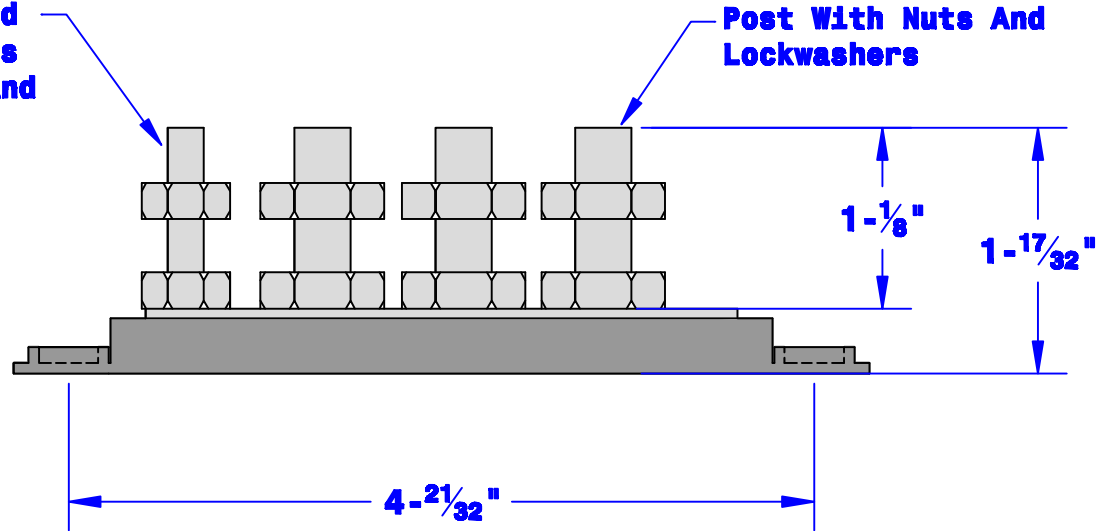


Quick Cable Reserves The Right to Alter Product Types, Their Technical Data, Dimensions, Style And Accessories without Prior Notification.



Aux. Takeoff Stud
1/4"-20 Stainless
Post With Nuts And
Lockwashers

5/16"-18 Stainless
Post With Nuts And
Lockwashers



**NOTE: Max Amperage:
210 Amps @ 12 Volts
Max Voltage: 48 VDC**

| | |
|---|-------------------------------------|
| Property of QUICKCABLE® 3700 Quick Drive Franksville, WI 53126 U.S.A. www.quickcable.com | TITLE |
| | 4 Pt. Terminal Bus Bar, Neg. |
| | PART # |
| | 509710 |

Confidential and Proprietary Information

| | | | | | | | | | | | |
|----------|-----------------|-------------|------------|---------------------------------------|------------------------------------|----------------|---------------|-------------|---|--------------------|----------|
| | | | | | Drawn By | Date | Checked By | Scale | Material & Treatment Glass Filled Black Nylon | Drawing # | REV |
| | | | | | Bill S | 7-06-07 | Mike E | None | | 509710-Info | A |
| A | 12-07-10 | 2216 | JMH | Voltage & amp rating added | Tolerances, unless otherwise noted | | | | | Sheet 1 of 1 | |
| Rev | Date | ECN# | By | Description | Dimensions are reference only | | | | | | |