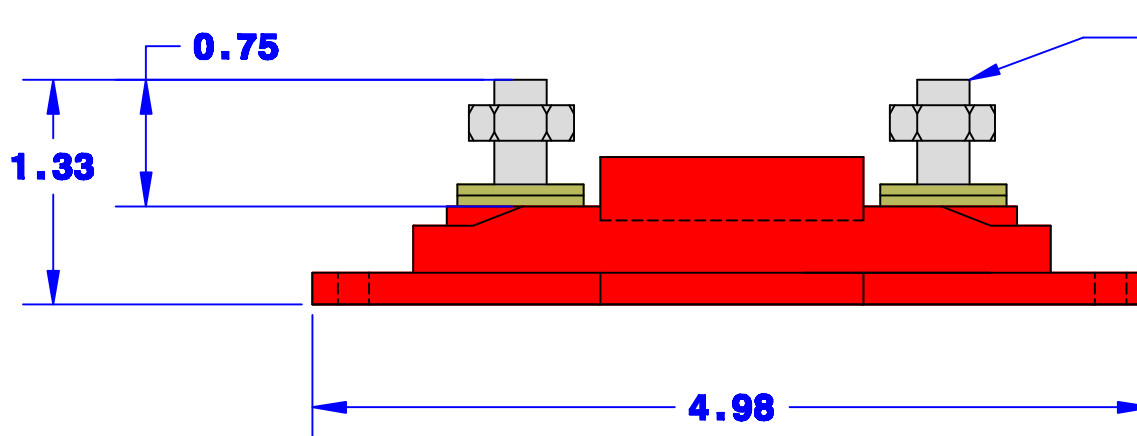
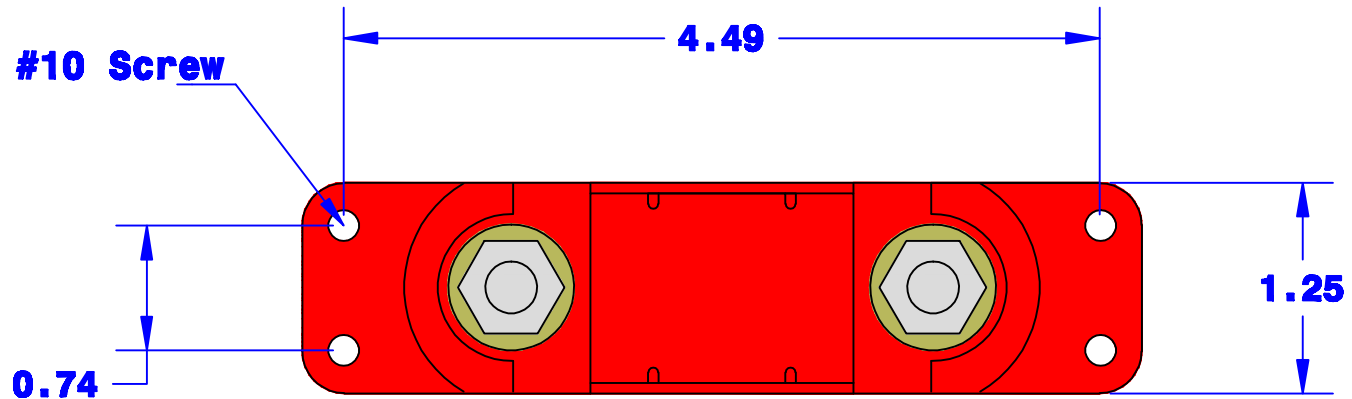


Sized For #10 Screw



5/16"-18 Stud With Nuts, Brass Washers, and Lock Washers

Ships With Clear Protective Cover and 2 Terminal Protectors

Property of QUICK CABLE 3700 Quick Drive Franksville, WI 53126 U.S.A. www.quickcable.com	TITLE ANL Fuse Holder	
	PART # 509665	
Confidential and Proprietary Information		
Material & Treatment	Drawing # 509665-Info	REV
	Sheet 1 of 1	

Rev	Date	ECN#	By	Description

Drawn By Bill S	Date 7-09-07	Checked By Mike E	Scale None
Tolerances, unless otherwise noted Dimensions are reference only			