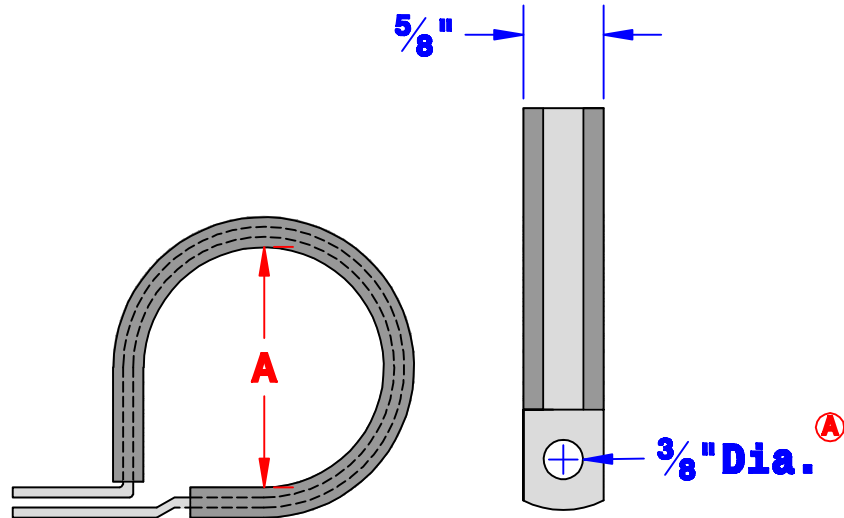


EPDM Neoprene Covered Steel Clamps

Part Number	<b>A</b> Diameter (inches)
504501	1/4"
504502	3/8"
504503	1/2"
504504	5/8"
504505	3/4"
504506	7/8"
504507	1"
504508	1-1/8"
504509	1-1/4"
504511	2"



Property of <b>QUICKCABLE</b> 3700 Quick Drive Franksville, WI 53126 U.S.A. www.quickcable.com	TITLE
	Steel, EPDM Neoprene Covered Clamps
	PART #
	<b>504501-504511</b>

**Confidential and Proprietary Information**

Rev	Date	ECN#	By	Description
A	03-05-13	2755	JMH	Hole Dia. was 1/4"

Drawn By	Date	Checked By	Scale
Jim H	11-23-09	Mike E	None
Tolerances, unless otherwise noted			
<b>Dimensions are reference only</b>			

Material & Treatment	Drawing #	REV
	<b>C-1005-Info</b>	<b>A</b>
	Sheet 1 of 1	