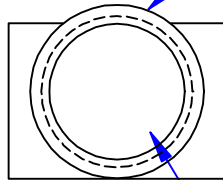
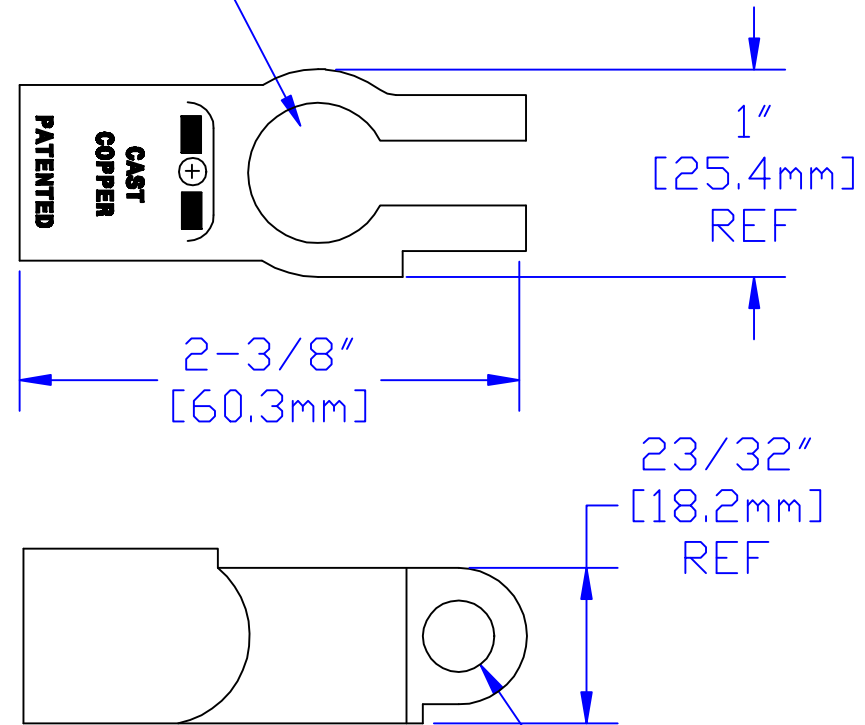


Sized for SAE POS post.

**27/32" OD.
[21.4mm]
(Dia may vary
due to shrinkage)**



**I.D. threaded
3/8 NPT for
P/N 6130 comp. nut**



**Bolt hole sized
for 5/16" [M8] bolt**

Property of QUICK CABLE		TITLE Compression strait	
3700 Quick Dr. Franksville WI		3/0 Ga. [81mm ²]	
		PART # 5030P	
Drawn By Paul	Date 3/7/03	Checked By	Scale None
Material & Treatment High Conductivity Copper Alloy Matte Tin Plated		Drawing # 5030P-INFO	REV A
Tolerances, unless otherwise noted		Sheet 1	of 1

Rev	Date	ECN#	By	Description
A	12-02-03	004	Jim H	Update print to be consistent with other prints