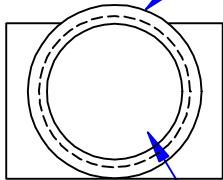
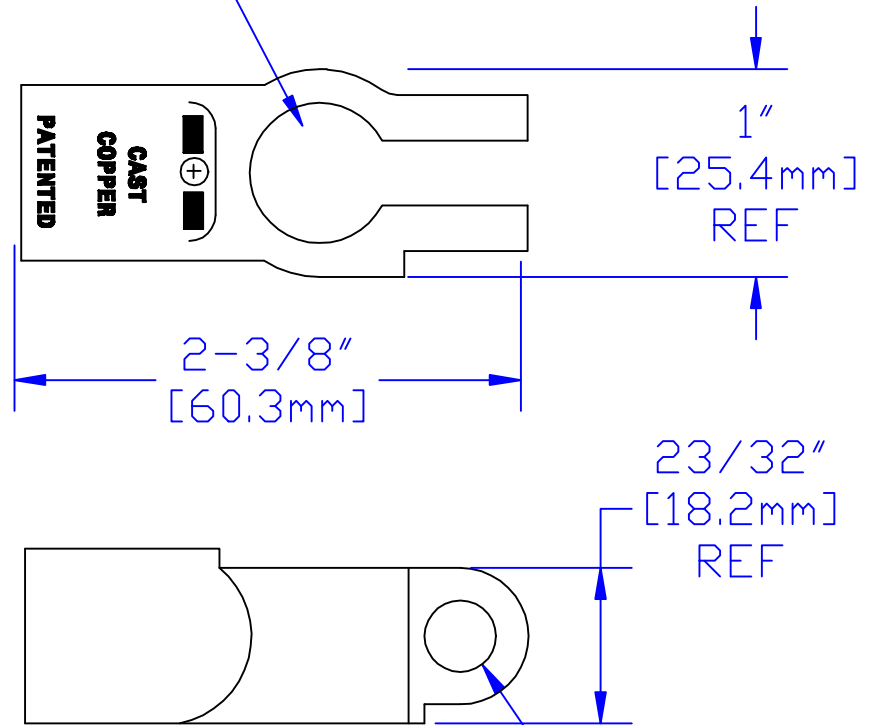


Sized for SAE POS post.

**27/32" OD.
[21.4mm]
(Dia may vary
due to shrinkage)**



**I.D. threaded
3/8 NPT for
P/N 6120 comp. nut**



**Bolt hole sized
for 5/16" [M8] bolt**

Property of		TITLE	
QUICK CABLE		Compression straight	
3700 Quick Dr. Franksville WI		2/0 Ga. [62mm ²]	
		PART #	
		5020P	
Material & Treatment		Drawing #	REV
High Conductivity Copper Alloy Matte Tin Plated		5020P-INFO	A
		Sheet 1	of 1

Rev	Date	ECN#	By	Description
A	12-02-03	064	JIM H	Update print to be consistent with other prints

Drawn By	Date	Checked By	Scale
Paul	3/7/03		None
Tolerances, unless otherwise noted			