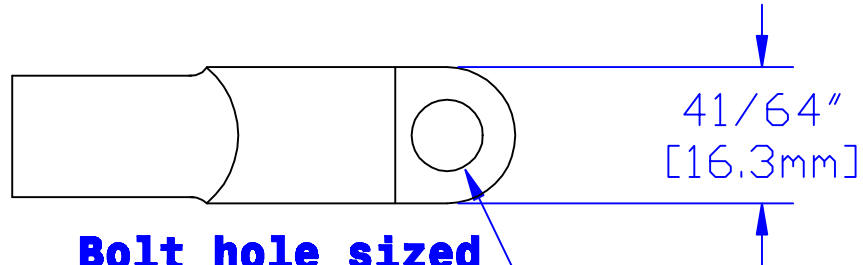
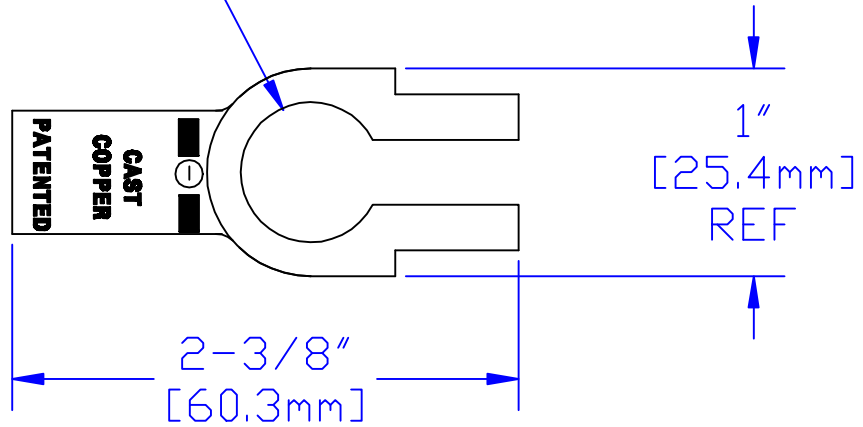
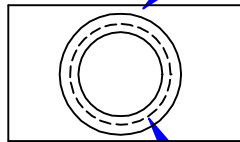


**Sized for SAE NEG post.**

**41/64" OD.  
[16.3mm]  
(Dia may vary  
due to shrinkage)**



**Bolt hole sized  
for 5/16" [M8] bolt**

**I.D. threaded  
1/4 NPT for  
P/N 6110 comp. nut**

Property of <b>QUICK CABLE</b>		TITLE <b>Compression strait</b>	
3700 Quick Dr. Franksville WI		1/0 Ga. [50mm <sup>2</sup> ]	
		PART # <b>5010N</b>	
Material & Treatment High Conductivity Copper Alloy Matte Tin Plated		Drawing # <b>5010N-INFO</b>	REV <b>A</b>
Tolerances, unless otherwise noted		Sheet 1	of 1

Rev	Date	ECN#	By	Description
A	12-02-03	664	Jim H	Update print to be consistent with other prints

Drawn By <b>Paul</b>	Date <b>3/7/03</b>	Checked By	Scale <b>None</b>
-------------------------	-----------------------	------------	----------------------