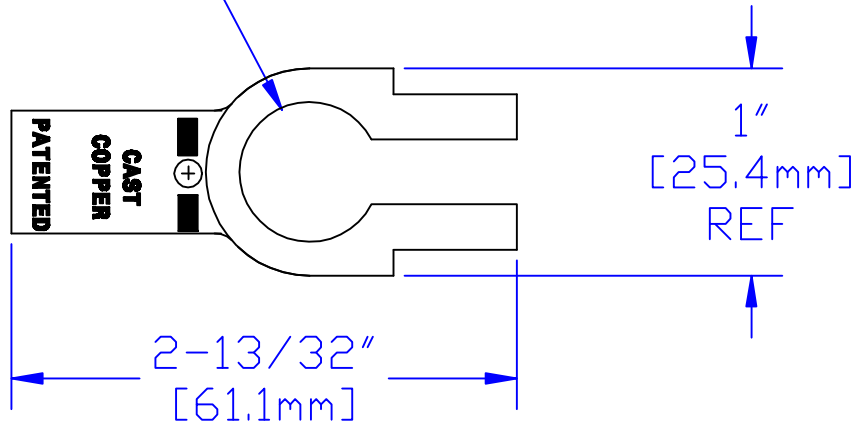
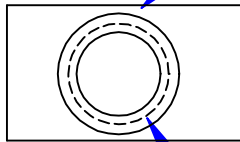


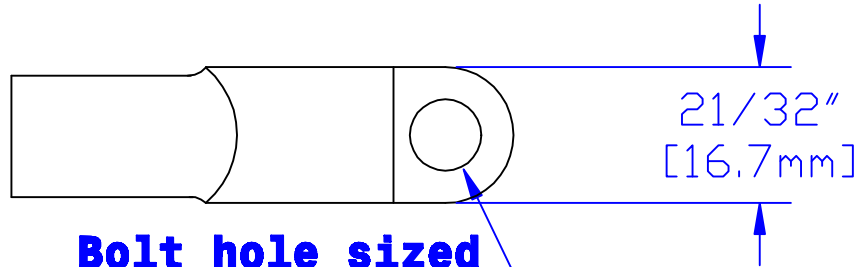
Sized for SAE POS post.

**35/64" OD.
[13.9mm]
(Dia may vary
due to shrinkage)**



**Bolt hole sized
for 5/16" [M8] bolt**

**I.D. threaded
1/8 NPT for
P/N 6106 comp. nut**



Property of QUICK CABLE	TITLE Compression straight	
	6 Ga. [13mm ²]	
3700 Quick Dr. Frankville WI	PART # 5006P	
	Drawing # 5006P-INFO	REV A
	Sheet 1 of 1	
Material & Treatment High Conductivity Copper Alloy Matte Tin Plated		

Rev	Date	ECN#	By	Description
A	12-02-03	664	JIM H	Update print to be consistent with other prints

Drawn By Paul	Date 3/7/03	Checked By	Scale None
Tolerances, unless otherwise noted			