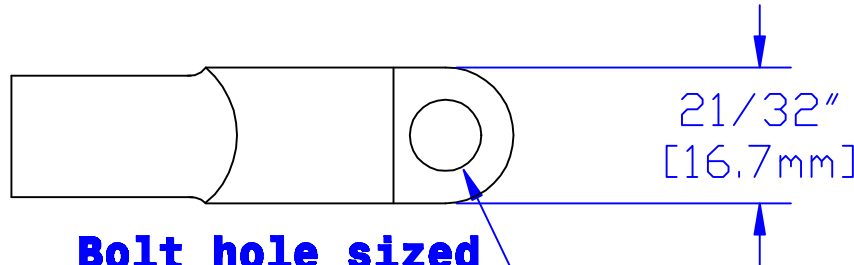
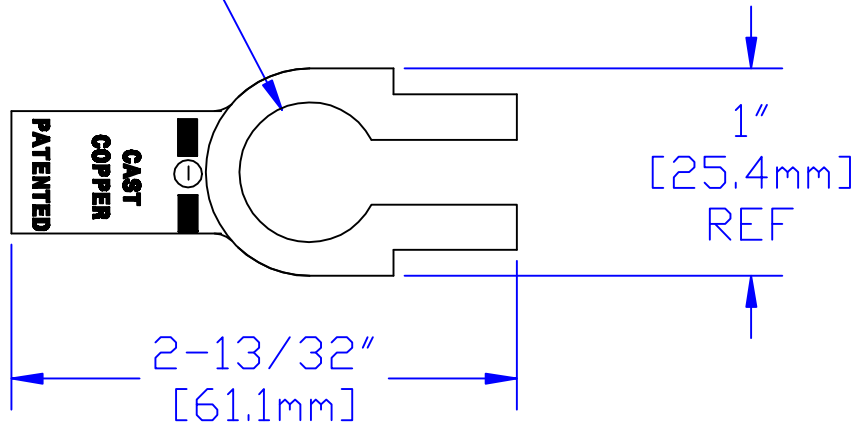
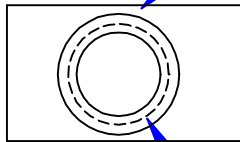


Sized for SAE NEG post.

**35/64" OD.
[13.9mm]
(Dia may vary
due to shrinkage)**



**Bolt hole sized
for 5/16" [M8] bolt**

**I.D. threaded
1/8 NPT for
P/N 6106 comp. nut**

Property of		TITLE	
QUICK CABLE		Compression strait	
3700 Quick Dr. Franksville WI		6 Ga. [13mm²]	
		PART #	
		5006N	
Material & Treatment		Drawing #	REV
High Conductivity Copper Alloy Matte Tin Plated		5006N-INFO	A
		Sheet 1	of 1

Rev	Date	ECN#	By	Description
A	12-02-03	664	JIM H	Update print to be consistent with other prints

Drawn By	Date	Checked By	Scale
Paul	3/7/03		None
Tolerances, unless otherwise noted			