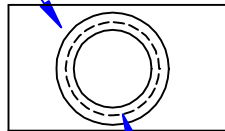
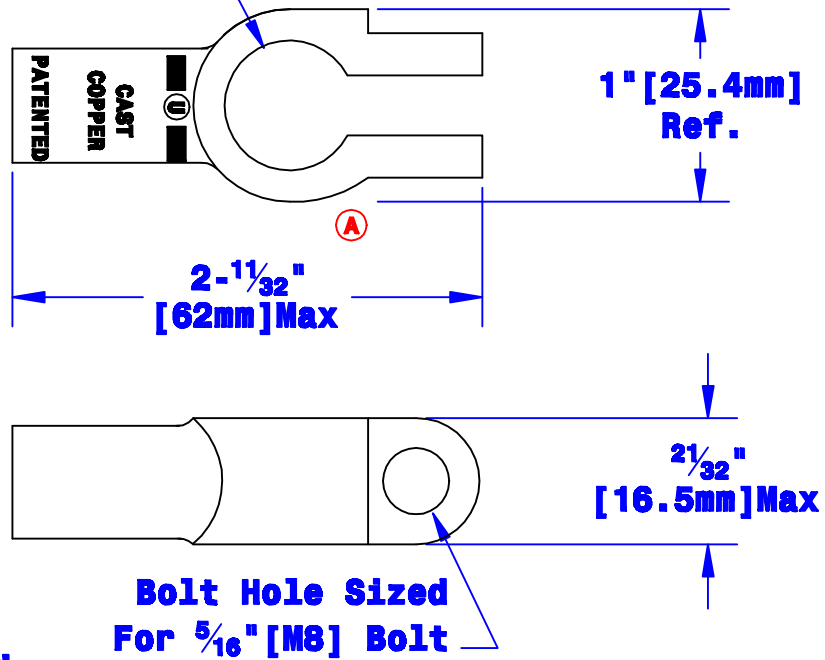


Sized to Fit Neg. or Pos. Post

35/64" OD.
[14mm]
(Dia. May Vary
Due to Shrinkage)



I.D. Threaded
1/8 NPT For
P/N 6104 Comp. Nut

Bolt Hole Sized
For 5/16" [M8] Bolt

Property of QUICKCABLE [®]		TITLE Compression 4 Ga. Straight	
3700 Quick Drive Frankville, WI 53126 U.S.A. www.quickcable.com		PART # 5004U	
Confidential and Proprietary Information			
Material & Treatment High Conductivity Copper Alloy Matte Tin Plated		Drawing # 5004U-INFO	REV A
		Sheet 1	of 1

Rev	Date	ECN#	By	Description	Drawn By	Date	Checked By	Scale
A	02-10-09	1789	Jim H	Update print; remove one notch; shorten tange	Jim H	5-24-06	Mike E	None
					Tolerances, unless otherwise noted Dimensions are reference only			