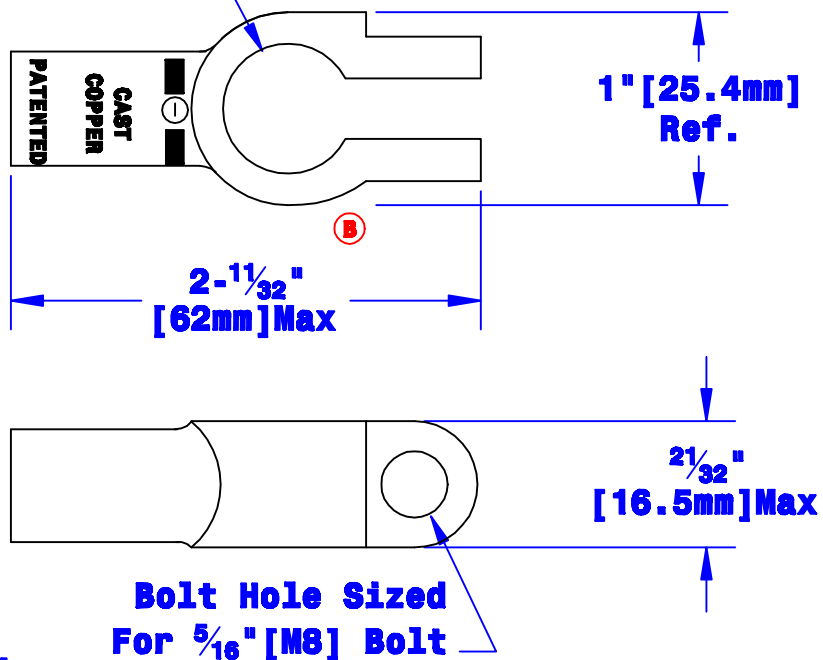


Sized For SAE Neg. Post

**$\frac{35}{64}$ " OD.
[14mm]
(Dia. May Vary
Due to Shrinkage)**



**I.D. Threaded
1/8 NPT For
P/N 6104 Comp. Nut**

Property of QUICKCABLE® 3700 Quick Drive Franksville, WI 53126 U.S.A. www.quickcable.com	TITLE
	Compression 4 Ga. Straight
	PART #
	5004N

Confidential and Proprietary Information

B	02-10-00	1750	Jim H	Update print; remove one notch; shorten tangs	Drawn By Paul	Date 3/7/03	Checked By	Scale None	Material & Treatment High Conductivity Copper Alloy Matte Tin Plated	Drawing #	REV
A	12-02-03	004	Jim H	Update print to be consistent with other prints	Tolerances, unless otherwise noted Dimensions are reference only					5004N-INFO	B
Rev	Date	ECN#	By	Description						Sheet 1 of 1	