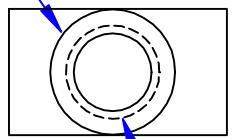
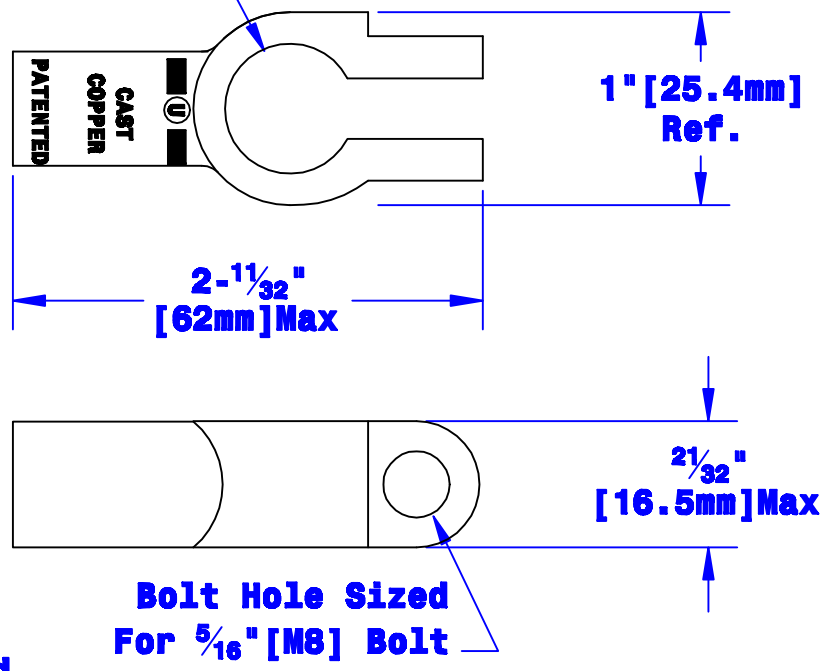


**Sized For SAE
Neg. or Pos. Post**

**2 1/32" OD.
[16.7mm]
(Dia. May Vary
Due to Shrinkage)**



**I.D. Threaded
1/4 NPT For
P/N 6102 Comp. Nut**

**Bolt Hole Sized
For 5/16" [M8] Bolt**

Property of QUICKCABLE 3700 Quick Drive Franksville, WI 53126 U.S.A. www.quickcable.com		TITLE Compression 1&2 Ga. Straight	
		PART # 5002U	
Confidential and Proprietary Information			
Material & Treatment High Conductivity Copper Alloy Matte Tin Plated		Drawing # 5002U-INFO	
Tolerances, unless otherwise noted Dimensions are reference only		Sheet 1 of 1	

Rev	Date	ECN#	By	Description	Drawn By	Date	Checked By	Scale
					Jim H	2-26-09	Mike E	None