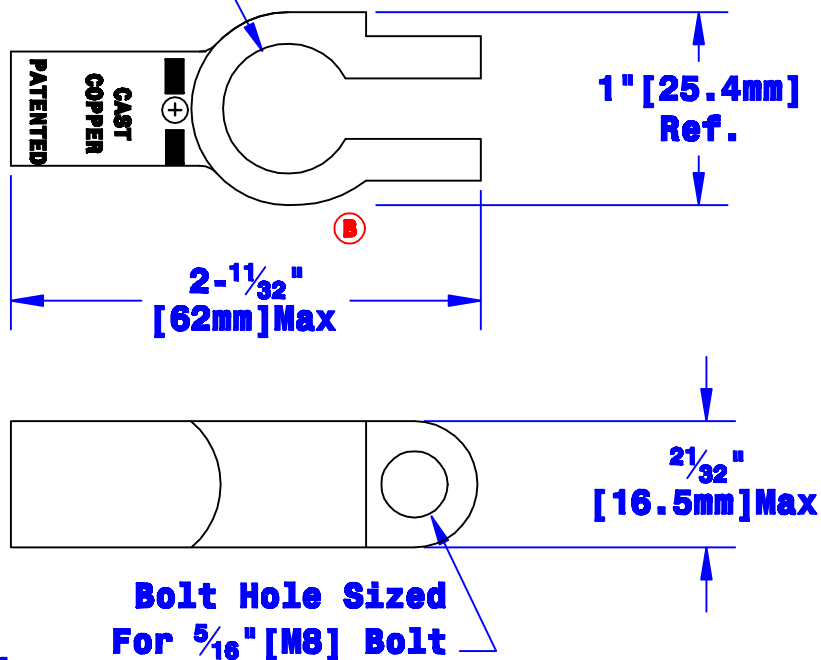


Sized For SAE Pos. Post

2 1/32" OD.
[16.7mm]
(Dia. May Vary
Due to Shrinkage)



I.D. Threaded
1/4 NPT For
P/N 6102 Comp. Nut

Bolt Hole Sized
For 5/16" [M8] Bolt

Property of		TITLE	
QUICKCABLE		Compression 1&2 Ga. Straight	
3700 Quick Drive Franksville, WI 53126 U.S.A. www.quickcable.com		PART # 5002P	
Confidential and Proprietary Information			
Material & Treatment		Drawing #	REV
High Conductivity Copper Alloy Matte Tin Plated		5002P-INFO	B
		Sheet 1	of 1

Rev	Date	ECN#	By	Description	Drawn By	Date	Checked By	Scale
B	02-20-00	1750	Jim H	Update print; remove one notch; shorten tangs	Paul	3/7/03		None
A	12-02-03	004	Jim H	Update print to be consistent with other prints	Tolerances, unless otherwise noted Dimensions are reference only			