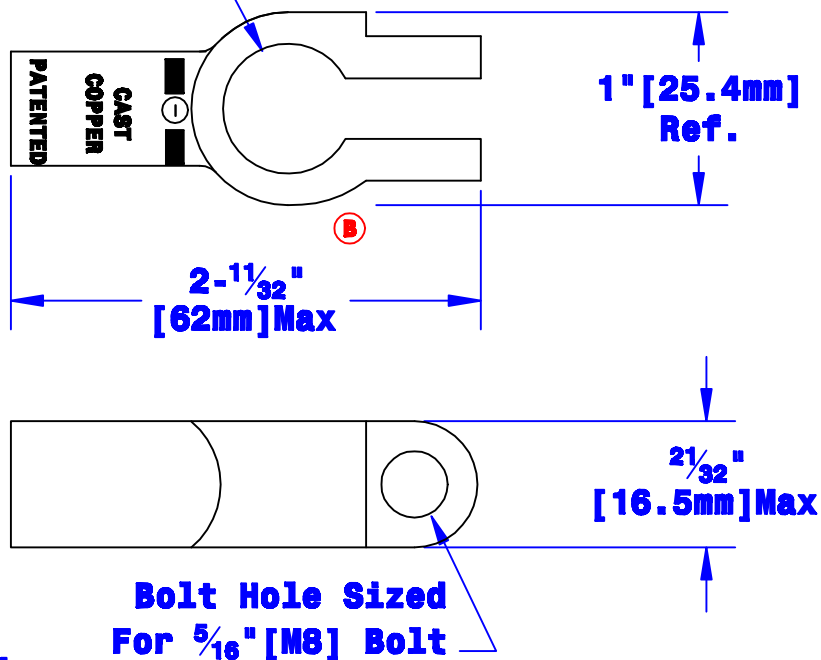


Sized For SAE Neg. Post

**2 1/32" OD.
[16.7mm]
(Dia. May Vary
Due to Shrinkage)**



**I.D. Threaded
1/4 NPT For
P/N 6102 Comp. Nut**

Property of QUICKCABLE® 3700 Quick Drive Franksville, WI 53126 U.S.A. www.quickcable.com	TITLE Compression 1&2 Ga. Straight PART # 5002N
--	--

Confidential and Proprietary Information

B	02-20-00	1750	Jim H	Update print; remove one notch; shorten tange	Drawn By Paul	Date 3/7/03	Checked By	Scale None	Material & Treatment High Conductivity Copper Alloy Matte Tin Plated	Drawing # 5002N-INFO	REV B
A	12-02-03	004	Jim H	Update print to be consistent with other prints	Tolerances, unless otherwise noted Dimensions are reference only					Sheet 1 of 1	
Rev	Date	ECN#	By	Description							