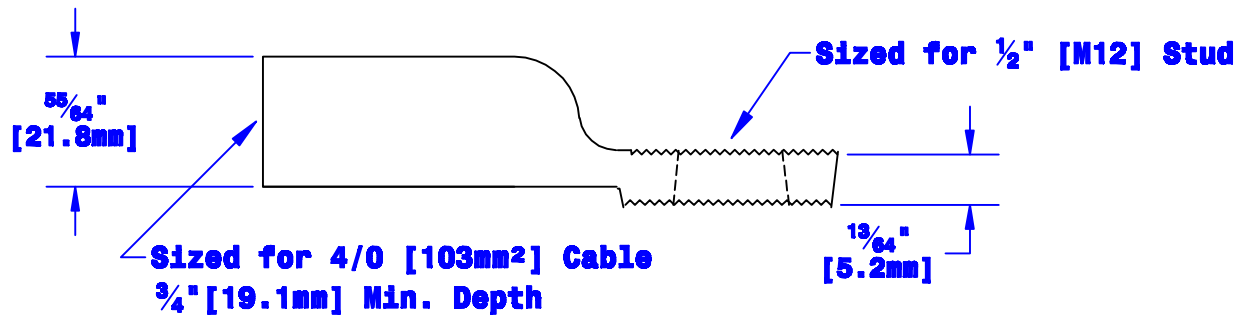
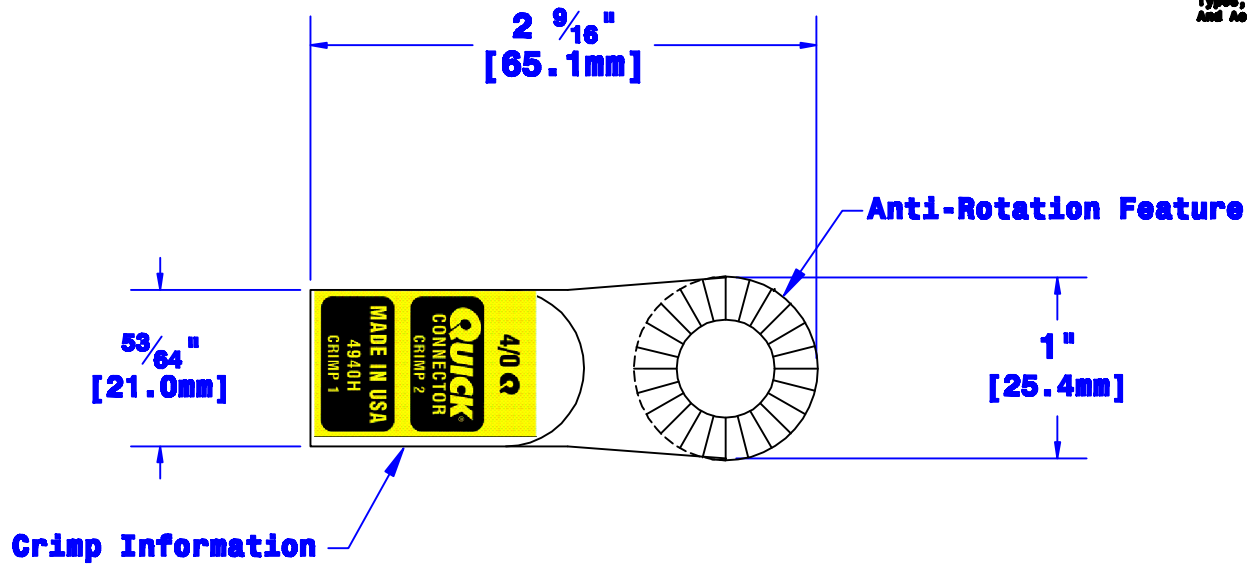


Quick Cable Reserves The Right to Alter Product Types, Their Technical Data, Dimensions, Style And Accessories Without Prior Notification.



<b>Property of</b> <b>QUICKCABLE®</b> 3700 Quick Drive Franksville, WI 53126 U.S.A. www.quickcable.com		<b>TITLE</b> <b>Die Cast Lug</b> <b>4/0 for 1/2" Stud</b> <b>[103mm²] [M12]</b>
		<b>PART #</b> <b>4940H</b>
<b>Confidential and Proprietary Information</b>		
<b>Material &amp; Treatment</b> High Conductivity Copper Alloy Tin Plated	<b>Drawing #</b> <b>4940H-Info</b> Sheet 1 of 1	<b>REV</b> <b>C</b>

					<b>Drawn By</b> <b>Jim H</b>	<b>Date</b> <b>12-28-06</b>	<b>Checked By</b> <b>Mike E</b>	<b>Scale</b> <b>None</b>
<b>C</b>	<b>01-24-12</b>	<b>2450</b>	<b>JMH</b>	<b>Redrawn; printing info updated</b>	<b>Tolerances, unless otherwise noted</b> <b>Dimensions are reference only</b>			
<b>Rev</b>	<b>Date</b>	<b>ECH#</b>	<b>By</b>	<b>Description</b>				