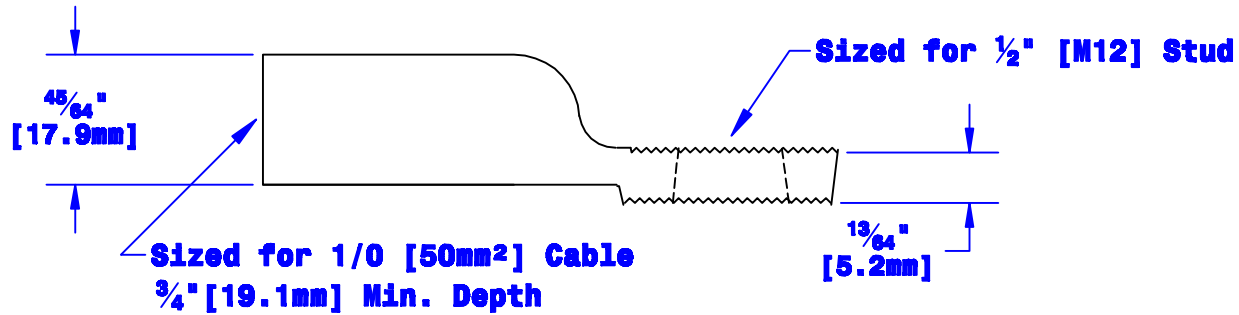
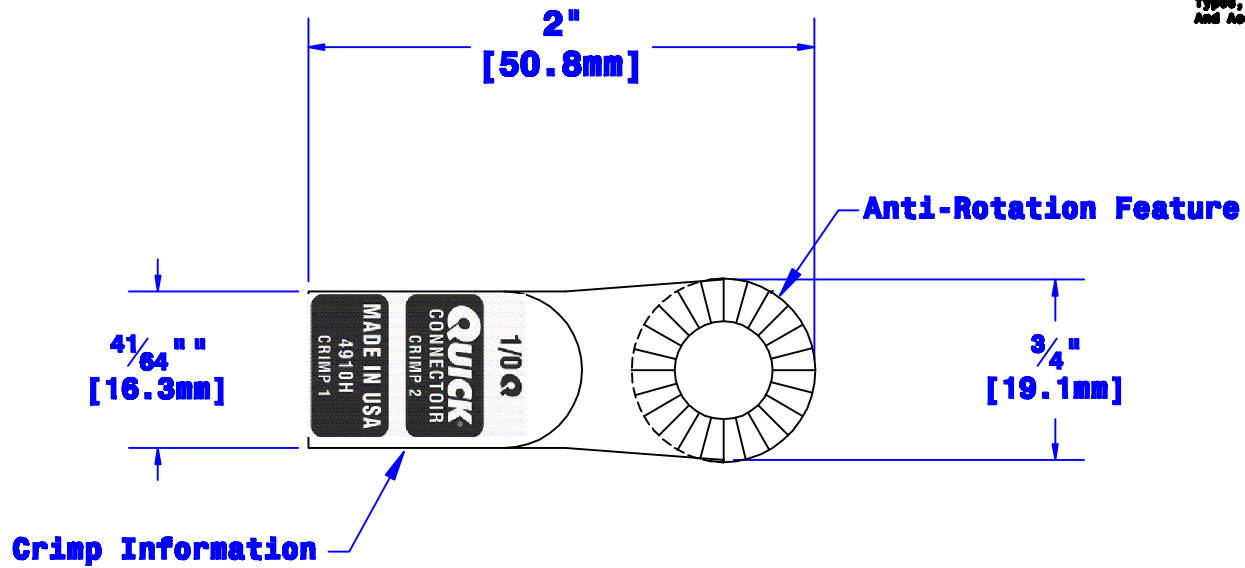


Quick Cable Reserves The Right to Alter Product Types, Their Technical Data, Dimensions, Style And Accessories Without Prior Notification.



Property of QUICKCABLE 3700 Quick Drive Franksville, WI 53126 U.S.A. www.quickcable.com	TITLE Die Cast Lug 1/0 for 1/2" Stud [50mm²] [M12]
	PART # 4910H

Confidential and Proprietary Information

Material & Treatment High Conductivity Copper Alloy Tin Plated	Drawing # 4910H-Info Sheet 1 of 1	REV C
--	---	------------------------

					Drawn By Jim H	Date 12-28-06	Checked By Mike E	Scale None
					Tolerances, unless otherwise noted Dimensions are reference only			
Rev	Date	ECH#	By	Description				
C	01-24-12	2459	JMH	Redrawn; printing info updated				