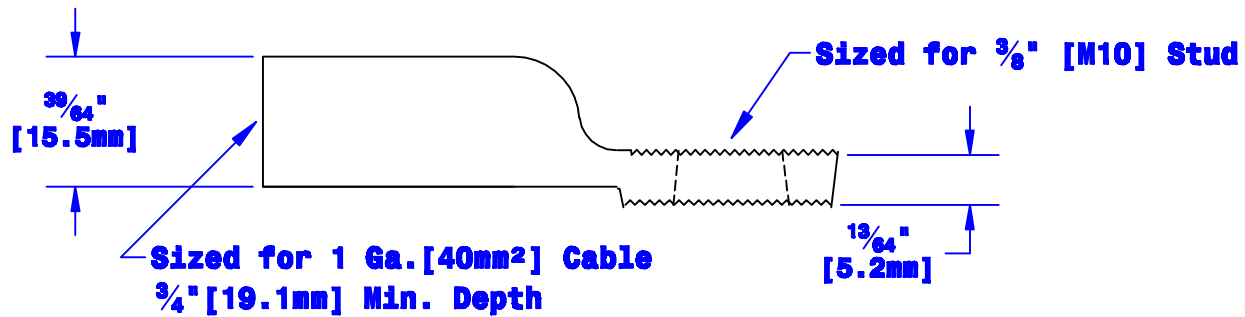
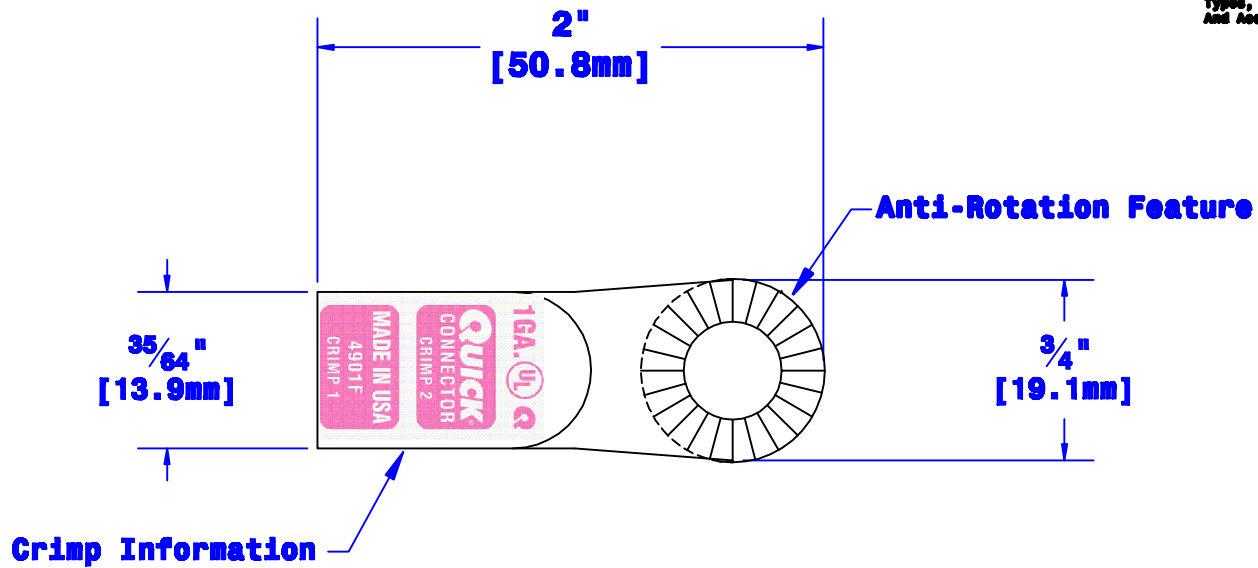


Quick Cable Reserves The Right to Alter Product Types, Their Technical Data, Dimensions, Style And Accessories Without Prior Notification.



<b>Property of</b> <b>QUICKCABLE®</b> 3700 Quick Drive Franksville, WI 53126 U.S.A. www.quickcable.com	<b>TITLE</b> Die Cast Lug 1 Ga. for 3/8" Stud [40mm <sup>2</sup> ] [M10]
	<b>PART #</b> 4901F

**Confidential and Proprietary Information**

					Drawn By <b>Jim H</b>	Date <b>12-28-06</b>	Checked By <b>Mike E</b>	Scale <b>None</b>
<b>C</b>	<b>01-24-12</b>	<b>2450</b>	<b>JMH</b>	<b>Redrawn; printing info updated</b>	Tolerances, unless otherwise noted <b>Dimensions are reference only</b>			
<b>Rev</b>	<b>Date</b>	<b>ECH#</b>	<b>By</b>	<b>Description</b>				

<b>Material &amp; Treatment</b> High Conductivity Copper Alloy Tin Plated	<b>Drawing #</b> <b>4901F-Info</b>	<b>REV</b> <b>C</b>
Sheet 1 of 1		