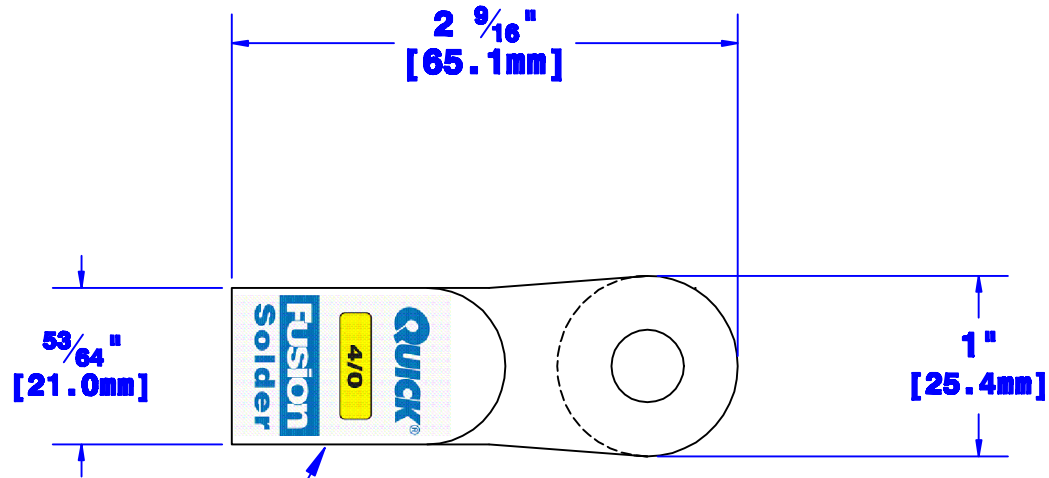
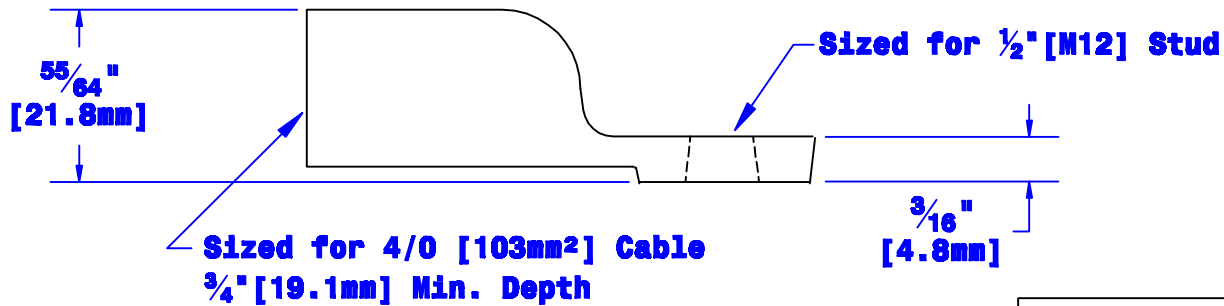


Quick Cable Reserves The Right to Alter Product Types, Their Technical Data, Dimensions, Style And Accessories Without Prior Notification.



Barrel Preloaded With Flux and Solder



|   |  |
|---|--|
| <b>Property of</b><br><b>QUICKCABLE®</b><br>3700 Quick Drive<br>Franksville, WI 53126<br>U.S.A.<br>www.quickcable.com | <b>TITLE</b><br>Die Cast Lug, Fusion<br>4/0 for 1/2" Stud<br>[103mm <sup>2</sup> ] [M12] |
|   | <b>PART #</b><br>486340H   |

**Confidential and Proprietary Information**

|            |             |             |           |                                |                                      |                         |                             |                      |  |                                  |                 |
|------------|-------------|-------------|-----------|--------------------------------|--------------------------------------|-------------------------|-----------------------------|----------------------|--|----------------------------------|-----------------|
|            |             |             |           |                                | <b>Drawn By</b><br>Paul              | <b>Date</b><br>07-09-03 | <b>Checked By</b><br>Mike E | <b>Scale</b><br>None | <b>Material &amp; Treatment</b><br>High Conductivity<br>Copper Alloy<br>Tin Plated | <b>Drawing #</b><br>486340H-Info | <b>REV</b><br>A |
| <b>Rev</b> | <b>Date</b> | <b>ECN#</b> | <b>By</b> | <b>Description</b>             | <b>Dimensions are reference only</b> |                         |                             |                      | <b>Sheet</b> 1 of 1  |                                  |                 |
| A          | 03-15-12    | 2450        | JMH       | Redrawn; printing info updated |                                      |                         |                             |                      |  |                                  |                 |