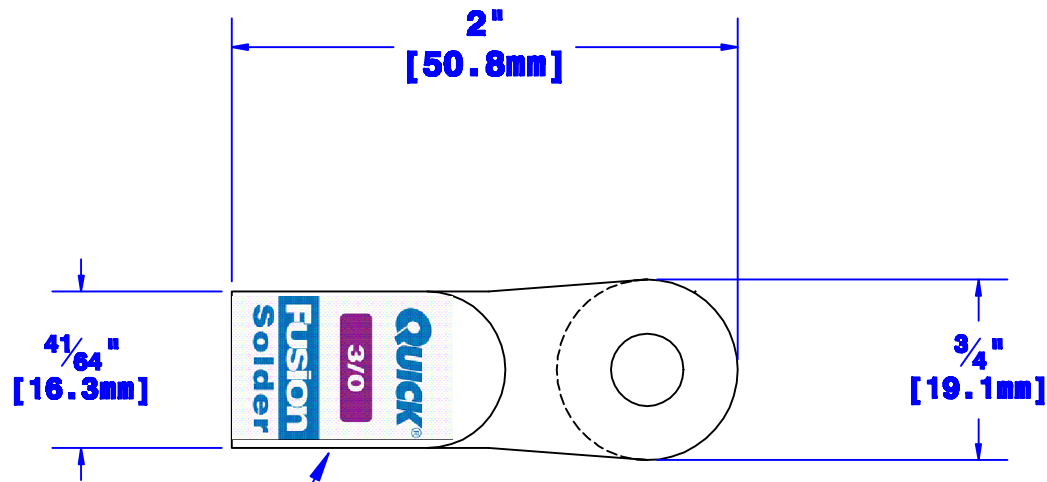
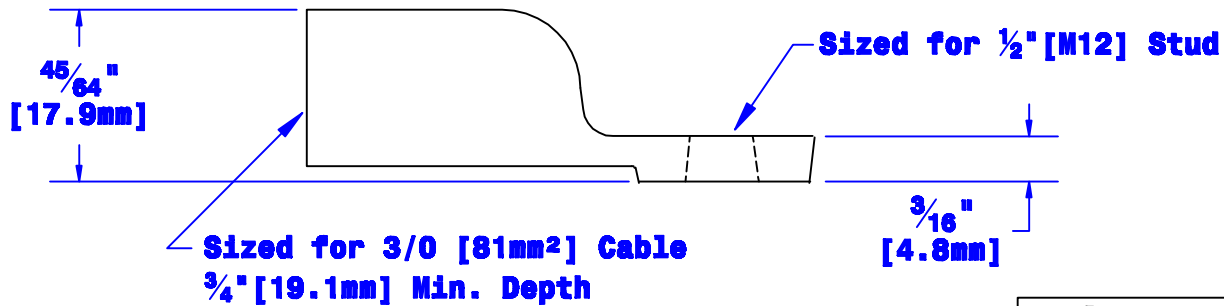


Quick Cable Reserves The Right to Alter Product Types, Their Technical Data, Dimensions, Style And Accessories Without Prior Notification.



Barrel Preloaded With Flux and Solder



Property of QUICKCABLE® 3700 Quick Drive Franksville, WI 53126 U.S.A. www.quickcable.com	TITLE Die Cast Lug, Fusion 3/0 for 1/2" Stud [81mm ²] [M12]
	PART # 486330H

Confidential and Proprietary Information

					Drawn By Bill S	Date 08-23-07	Checked By Mike E	Scale None	Material & Treatment High Conductivity Copper Alloy Tin Plated	Drawing # 486330H-Info	REV A
Rev	Date	ECN#	By	Description	Dimensions are reference only					Sheet 1 of 1	

A 08-15-12 2459 JMH Redrawn; printing info updated