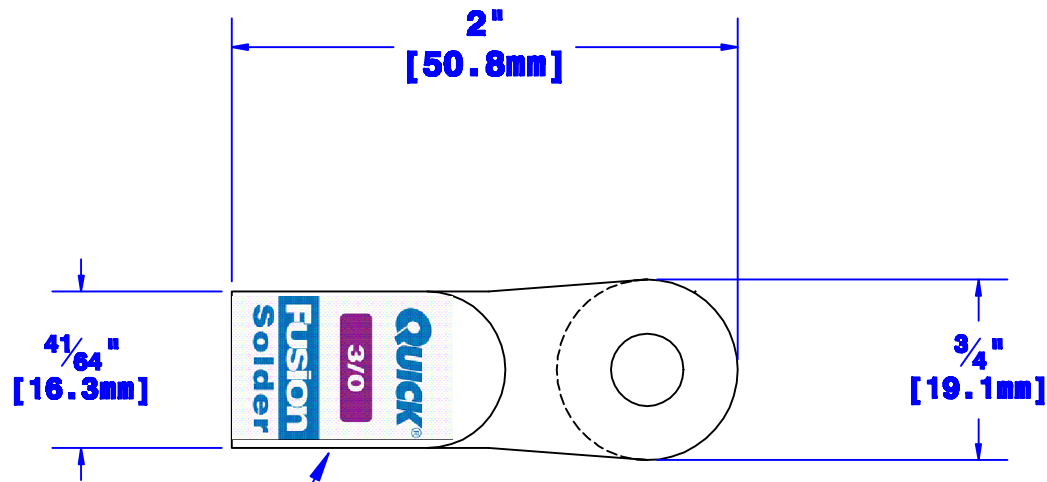
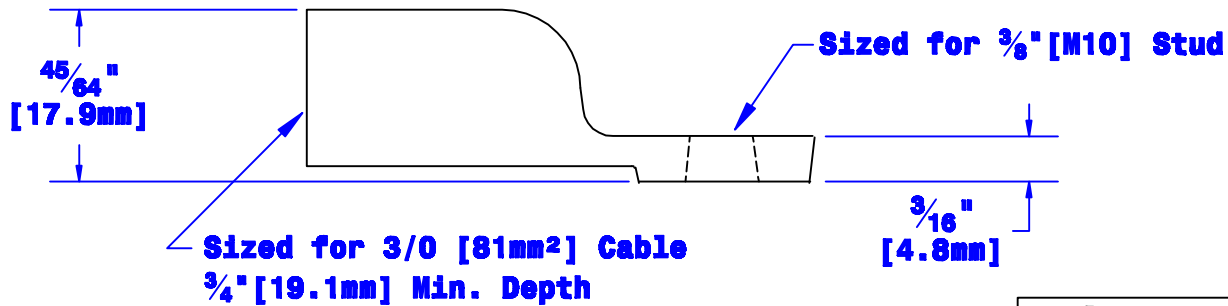


Quick Cable Reserves The Right to Alter Product Types, Their Technical Data, Dimensions, Style And Accessories Without Prior Notification.



Barrel Preloaded With Flux and Solder



Property of QUICKCABLE® 3700 Quick Drive Franksville, WI 53126 U.S.A. www.quickcable.com	TITLE Die Cast Lug, Fusion 3/0 for 3/8" Stud [81mm ²] [M10]
	PART # 486330F

Confidential and Proprietary Information

					Drawn By Bill S	Date 08-23-07	Checked By Mike E	Scale None
A	03-15-12	2459	JMH	Redrawn; printing info updated	Tolerances, unless otherwise noted Dimensions are reference only			
Rev	Date	ECN#	By	Description				

Material & Treatment High Conductivity Copper Alloy Tin Plated	Drawing # 486330F-Info	REV A
Sheet 1 of 1		