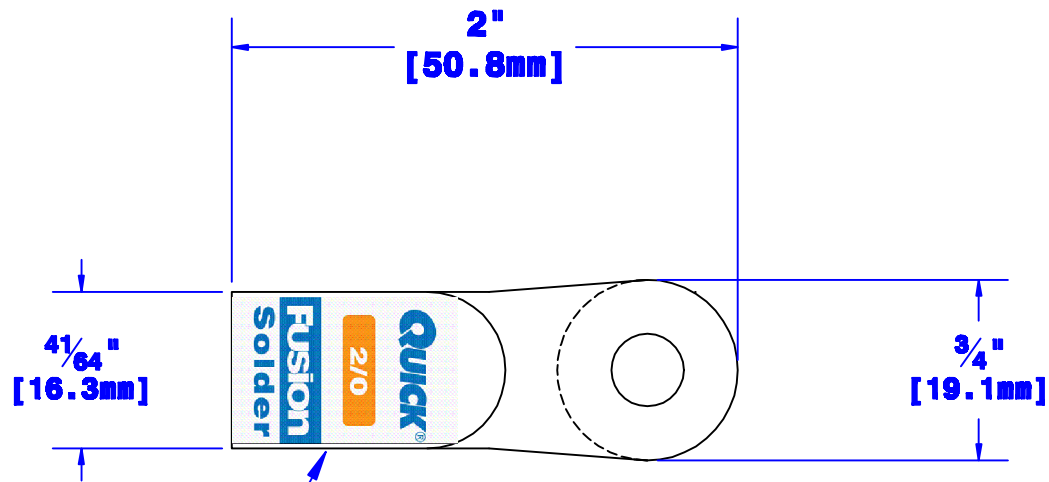
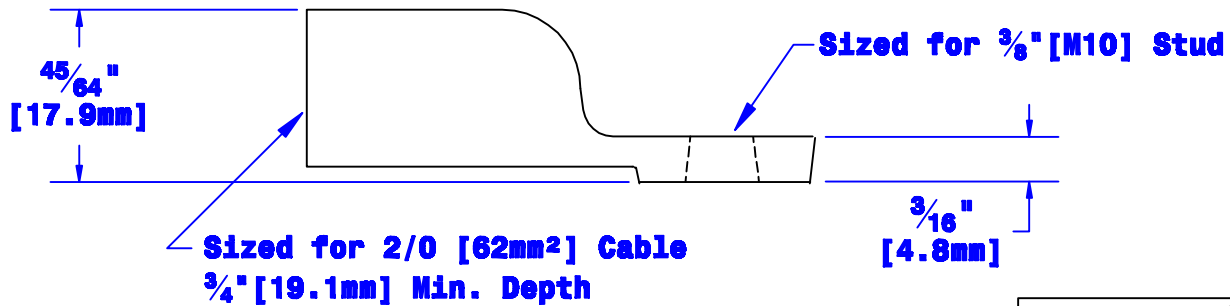


Quick Cable Reserves The Right to Alter Product Types, Their Technical Data, Dimensions, Style And Accessories Without Prior Notification.



Barrel Preloaded With Flux and Solder



Property of QUICKCABLE® 3700 Quick Drive Franksville, WI 53126 U.S.A. www.quickcable.com	TITLE Die Cast Lug, Fusion 2/0 for 3/8" Stud [62mm ²] [M10]
	PART # 486320F

Confidential and Proprietary Information

					Drawn By Bill S	Date 08-23-07	Checked By Mike E	Scale None	Material & Treatment High Conductivity Copper Alloy Tin Plated	Drawing # 486320F-Info	REV A
Rev	Date	ECN#	By	Description	Tolerances, unless otherwise noted Dimensions are reference only					Sheet 1 of 1	

A 03-15-12 2450 JMH Redrawn; printing info updated