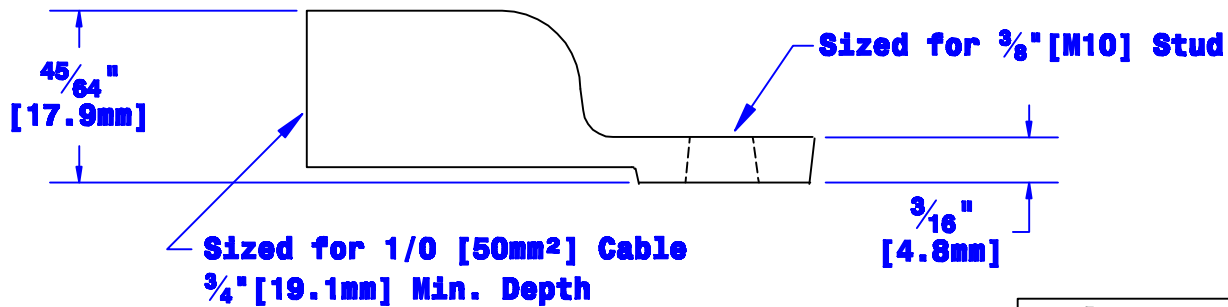
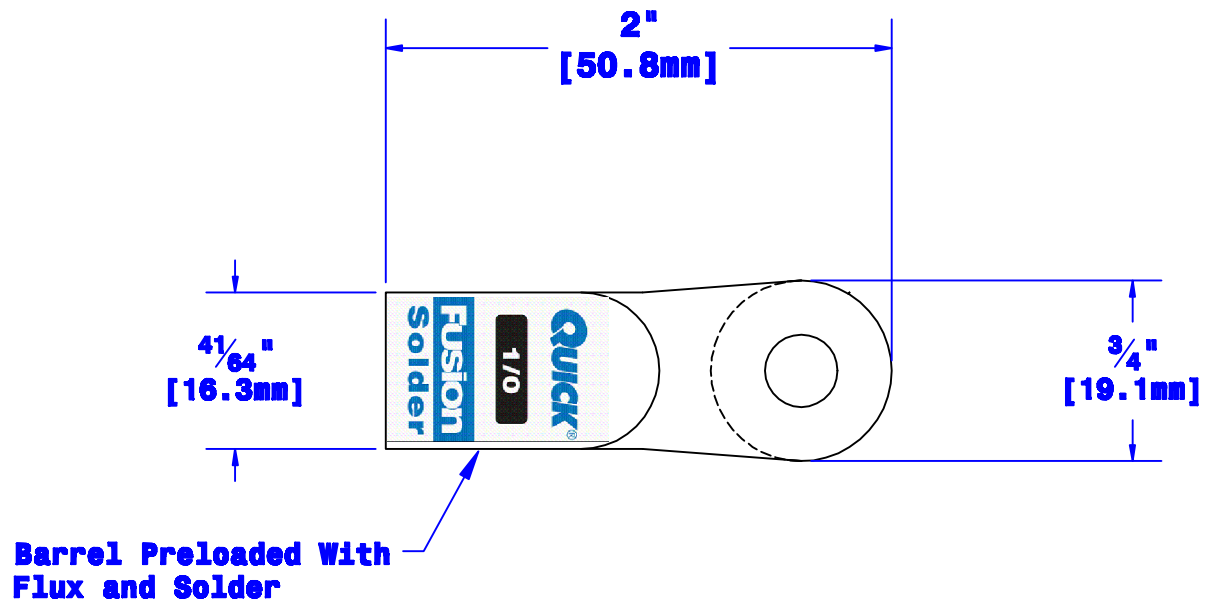


Quick Cable Reserves The Right to Alter Product Types, Their Technical Data, Dimensions, Style And Accessories Without Prior Notification.



<b>Property of</b> <b>QUICKCABLE®</b> 3700 Quick Drive Franksville, WI 53126 U.S.A. www.quickcable.com	<b>TITLE</b> Die Cast Lug, Fusion 1/0 for 3/8" Stud [50mm <sup>2</sup> ] [M10]
	<b>PART #</b> 486310F

**Confidential and Proprietary Information**

					<b>Drawn By</b> Jim H	<b>Date</b> 08-30-04	<b>Checked By</b> Mike E	<b>Scale</b> None	<b>Material &amp; Treatment</b> High Conductivity Copper Alloy Tin Plated	<b>Drawing #</b> 486310F-Info	<b>REV</b> <b>B</b>
<b>Rev</b>	<b>Date</b>	<b>ECN#</b>	<b>By</b>	<b>Description</b>	<b>Tolerances, unless otherwise noted</b> <b>Dimensions are reference only</b>					Sheet 1 of 1	

**B** 03-15-12 2459 JMH Redrawn; printing info updated