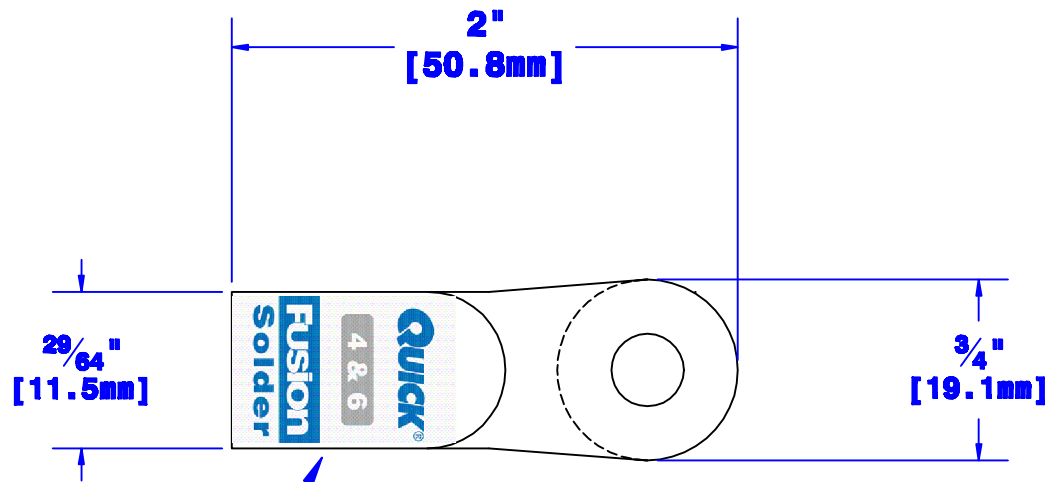
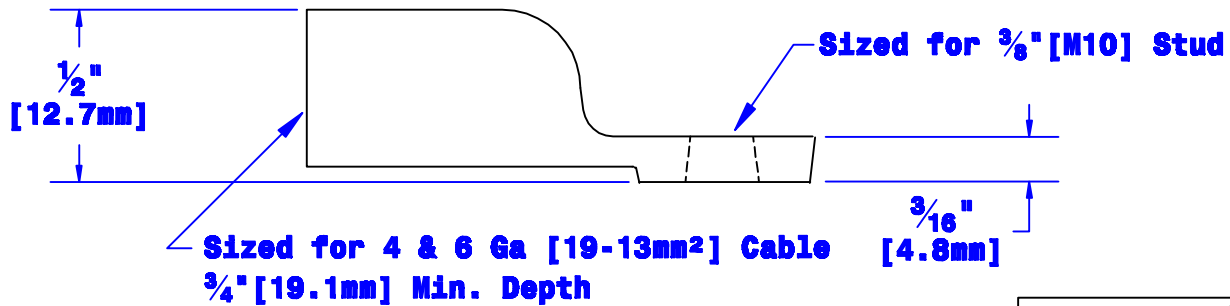


Quick Cable Reserves The Right to Alter Product Types, Their Technical Data, Dimensions, Style And Accessories Without Prior Notification.



Barrel Preloaded With Flux and Solder



| | |
|---|---|
| Property of QUICKCABLE 3700 Quick Drive Franksville, WI 53126 U.S.A. www.quickcable.com | TITLE Die Cast Lug, Fusion 4 & 6 Ga for 3/8" Stud [19-13mm ²] [M10] PART # 486304F |
|---|---|

Confidential and Proprietary Information

| | | | | | | | | | | | |
|----------|----------|------|-----|--------------------------------|---|-------------------------|-----------------------------|----------------------|---|----------------------------------|-----------------|
| | | | | | Drawn By Jim H | Date 08-30-04 | Checked By Mike E | Scale None | Material & Treatment High Conductivity Copper Alloy Tin Plated | Drawing # 486304F-Info | REV B |
| B | 03-15-12 | 2450 | JMH | Redrawn; printing info updated | Tolerances, unless otherwise noted Dimensions are reference only | | | | | Sheet 1 of 1 | |
| Rev | Date | ECN# | By | Description | | | | | | | |