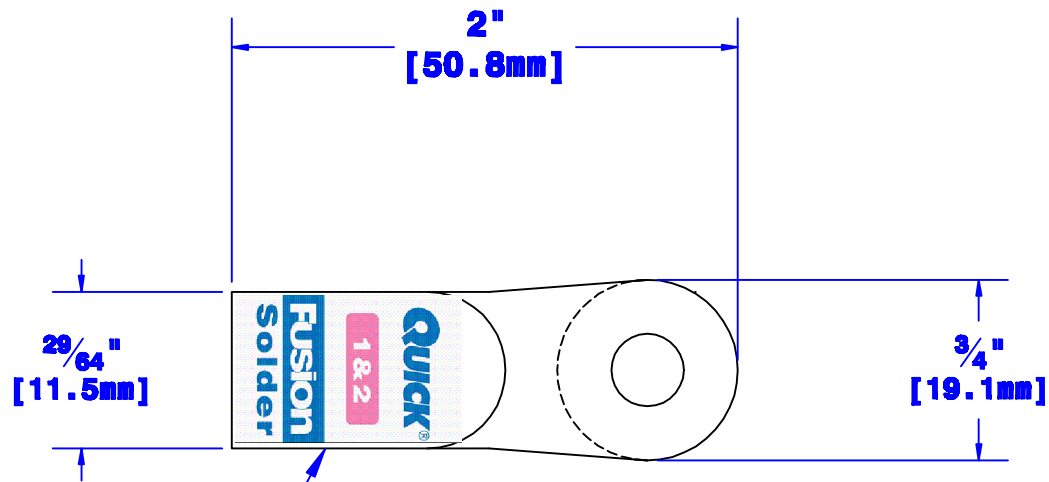
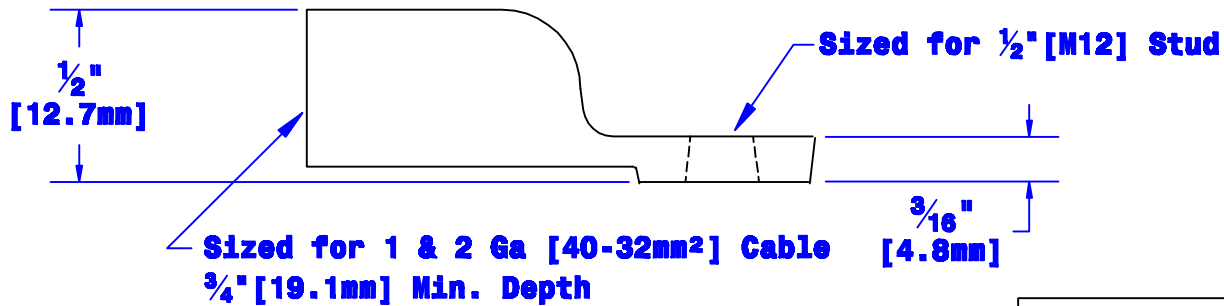


Quick Cable Reserves The Right to Alter Product Types, Their Technical Data, Dimensions, Style And Accessories Without Prior Notification.



Barrel Preloaded With Flux and Solder



Property of QUICKCABLE® 3700 Quick Drive Franksville, WI 53126 U.S.A. www.quickcable.com	TITLE Die Cast Lug, Fusion 1 & 2 Ga for 1/2" Stud [40-32mm²] [M12]
	PART # 486301H

Confidential and Proprietary Information

					Drawn By Jim H	Date 08-30-04	Checked By Mike E	Scale None	Material & Treatment High Conductivity Copper Alloy Tin Plated	Drawing # 486301H-Info	REV B
B	03-15-12	2450	JMH	Redrawn; printing info updated	Tolerances, unless otherwise noted Dimensions are reference only					Sheet 1 of 1	
Rev	Date	ECN#	By	Description							