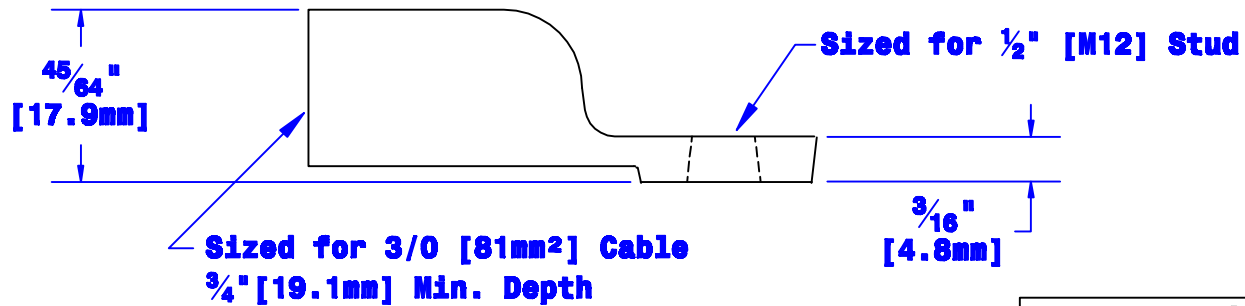
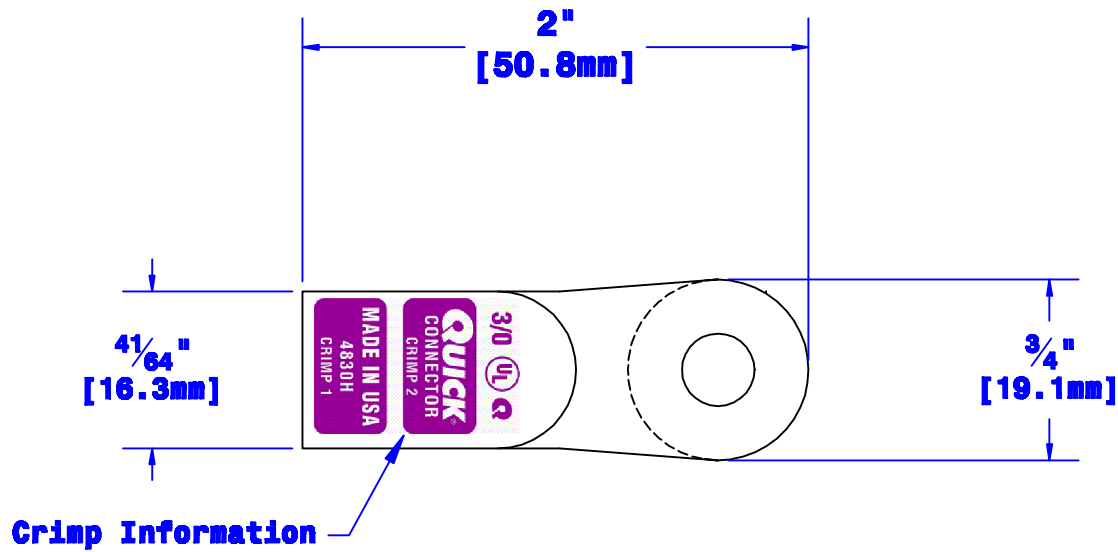


Quick Cable Reserves The Right to Alter Product Types, Their Technical Data, Dimensions, Style And Accessories Without Prior Notification.



Property of QUICKCABLE® 3700 Quick Drive Frankville, WI 53126 U.S.A. www.quickcable.com	TITLE Die Cast Lug 3/0 for 1/2" Stud [81mm ²] [M12]
	PART # 4830H

Confidential and Proprietary Information

					Drawn By Bill S	Date 05-23-08	Checked By Mike E	Scale None	Material & Treatment High Conductivity Copper Alloy Tin Plated	Drawing # 4830H-Info	REV B
B	01-24-12	2450	JMH	Redrawn; printing info updated	Tolerances, unless otherwise noted Dimensions are reference only					Sheet 1 of 1	
Rev	Date	ECN#	By	Description							