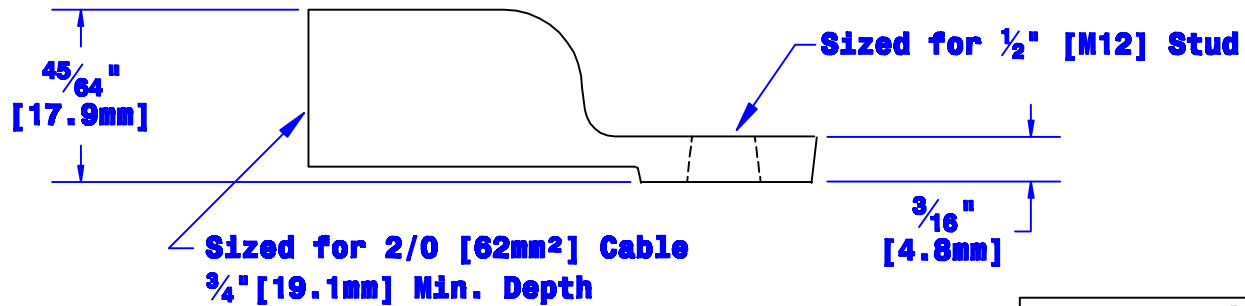
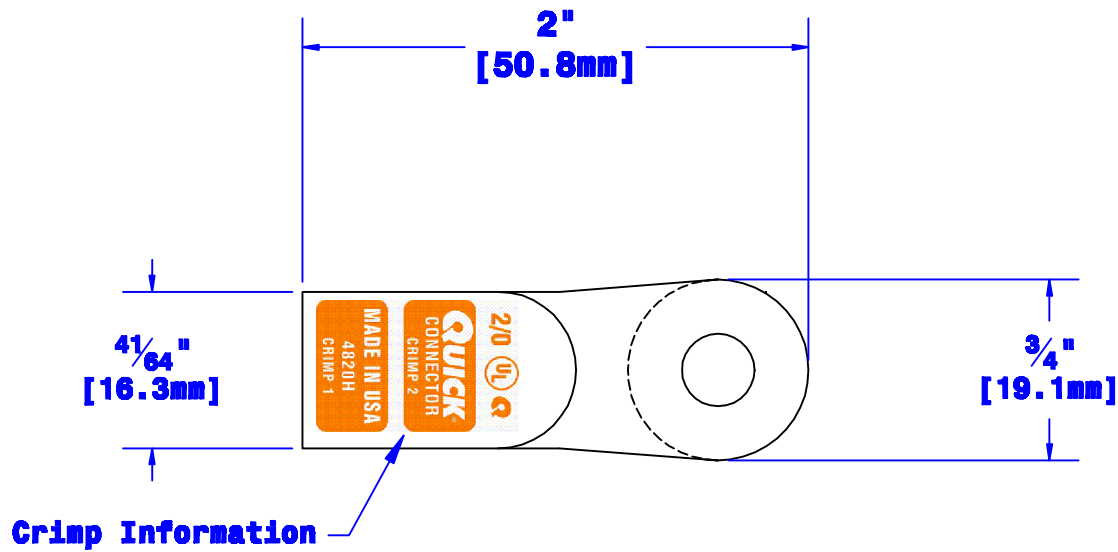


Quick Cable Reserves The Right to Alter Product Types, Their Technical Data, Dimensions, Style And Accessories Without Prior Notification.



Property of QUICKCABLE 3700 Quick Drive Frankville, WI 53126 U.S.A. www.quickcable.com		TITLE Die Cast Lug 2/0 for 1/2" Stud [62mm ²] [M12]
		PART # 4820H
Confidential and Proprietary Information		
Material & Treatment High Conductivity Copper Alloy Tin Plated	Drawing # 4820H-Info	REV B
		Sheet 1 of 1

Drawn By Bill S	Date 05-23-08	Checked By Mike E	Scale None
Tolerances, unless otherwise noted Dimensions are reference only			
B	01-24-12	2450	JMH
Rev	Date	ECN#	By
			Description
			Redrawn; printing info updated