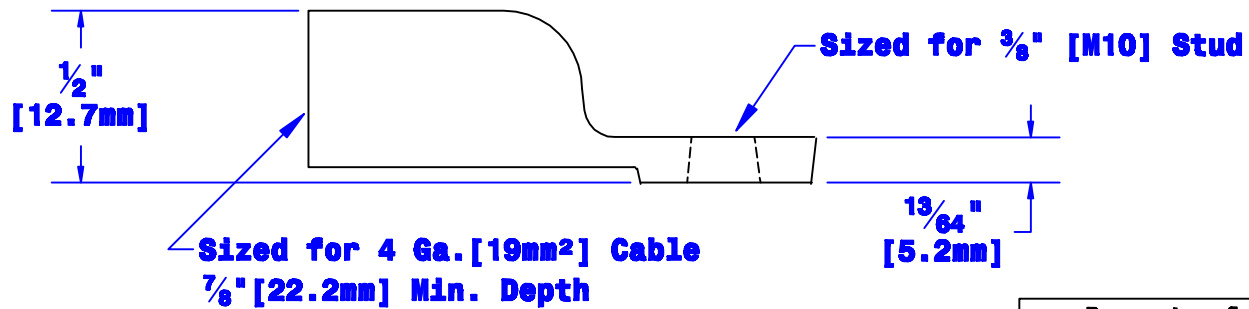
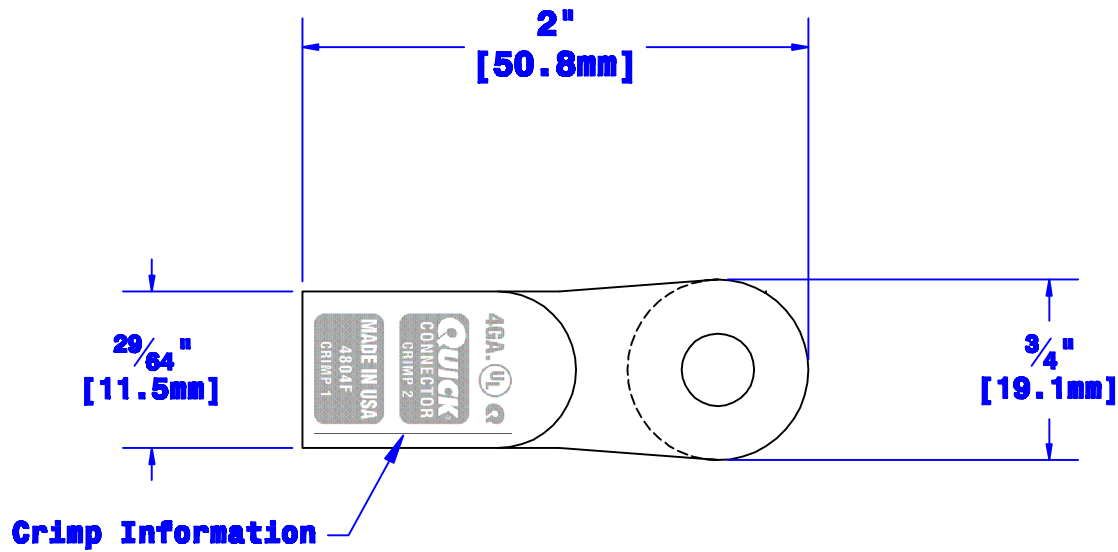


Quick Cable Reserves The Right to Alter Product Types, Their Technical Data, Dimensions, Style And Accessories Without Prior Notification.



| | |
|----------------------------------------------------------------------------------------------------------------------|-----------------------------------------------------------------------------------|
| Property of QUICKCABLE 3700 Quick Drive Franksville, WI 53126 U.S.A. www.quickcable.com | TITLE Die Cast Lug 4 Ga. for 3/8" Stud [19mm ²] [M10] |
| | PART # 4804F |

Confidential and Proprietary Information

| | | | | | | | | |
|------------|-----------------|-------------|------------|---------------------------------------|----------------------------------------------------------------------------|-------------------------|----------------------------------|----------------------|
| | | | | | Drawn By MEF | Date 12-09-02 | Checked By Mike E None | Scale None |
| C | 01-24-12 | 2459 | JMH | Redrawn; printing info updated | Tolerances, unless otherwise noted Dimensions are reference only | | | |
| Rev | Date | ECH# | By | Description | | | | |

Material & Treatment
 High Conductivity
 Copper Alloy
 Tin Plated

| | |
|---------------------------------------|------------------------|
| Drawing # 4804F-Info | REV C |
| Sheet 1 of 1 | |