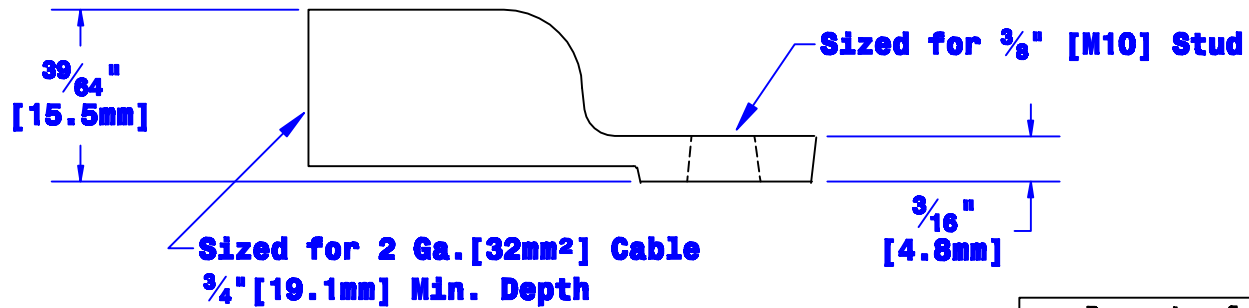
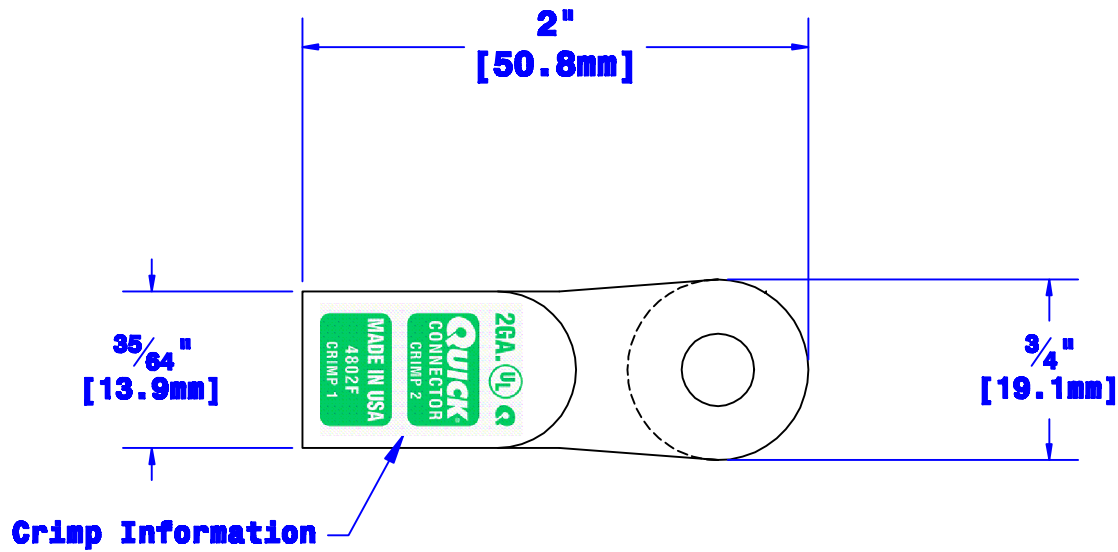


Quick Cable Reserves The Right to Alter Product Types, Their Technical Data, Dimensions, Style And Accessories Without Prior Notification.



Property of QUICKCABLE 3700 Quick Drive Franksville, WI 53126 U.S.A. www.quickcable.com	TITLE Die Cast Lug 2 Ga. for 3/8" Stud [32mm ²] [M10]
	PART # 4802F

Confidential and Proprietary Information

					Drawn By Bill S	Date 05-23-08	Checked By Mike E	Scale None
B	01-20-12	2459	JMH	Redrawn; printing info updated	Tolerances, unless otherwise noted Dimensions are reference only			
Rev	Date	ECN#	By	Description				

Material & Treatment
 High Conductivity
 Copper Alloy
 Tin Plated

Drawing # 4802F-Info	REV B
Sheet 1 of 1	