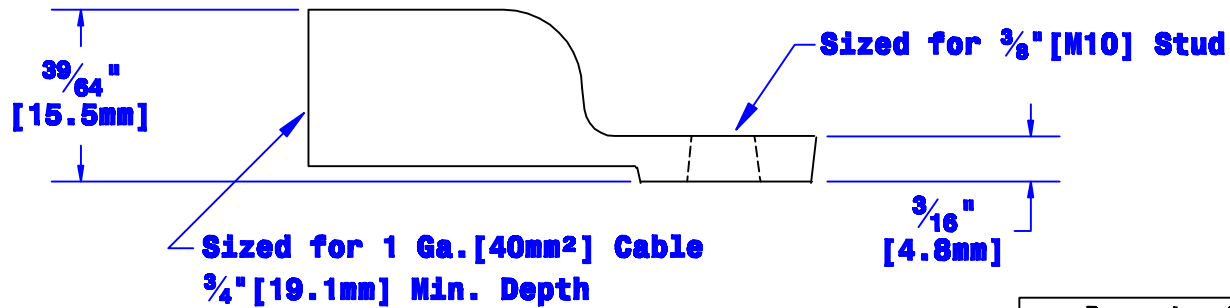
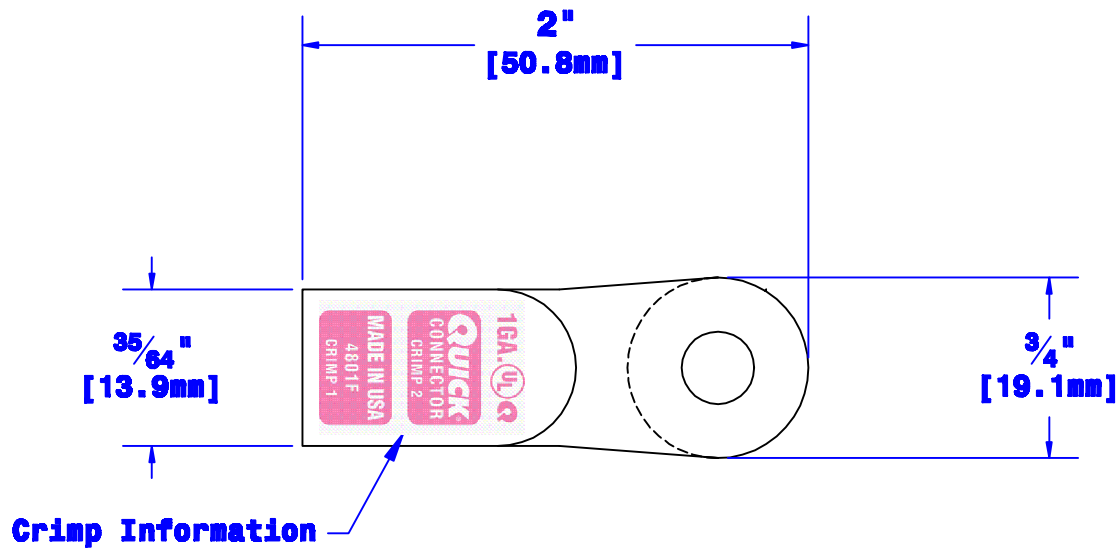


Quick Cable Reserves The Right to Alter Product Types, Their Technical Data, Dimensions, Style And Accessories Without Prior Notification.



<b>Property of</b> <b>QUICKCABLE</b> 3700 Quick Drive Franksville, WI 53126 U.S.A. www.quickcable.com	<b>TITLE</b> Die Cast Lug 1 Ga. for 3/8" Stud [40mm <sup>2</sup> ] [M10]
	<b>PART #</b> 4801F

**Confidential and Proprietary Information**

					<b>Drawn By</b> Jim H	<b>Date</b> 04-08-05	<b>Checked By</b> Mike E	<b>Scale</b> None
<b>Rev</b>	<b>Date</b>	<b>ECN#</b>	<b>By</b>	<b>Description</b>	Tolerances, unless otherwise noted <b>Dimensions are reference only</b>			
<b>C</b>	01-20-12	2459	JMH	Redrawn; printing info updated				

**Material & Treatment**  
 High Conductivity  
 Copper Alloy  
 Tin Plated

<b>Drawing #</b> 4801F-Info	<b>REV</b> <b>C</b>
Sheet 1 of 1	