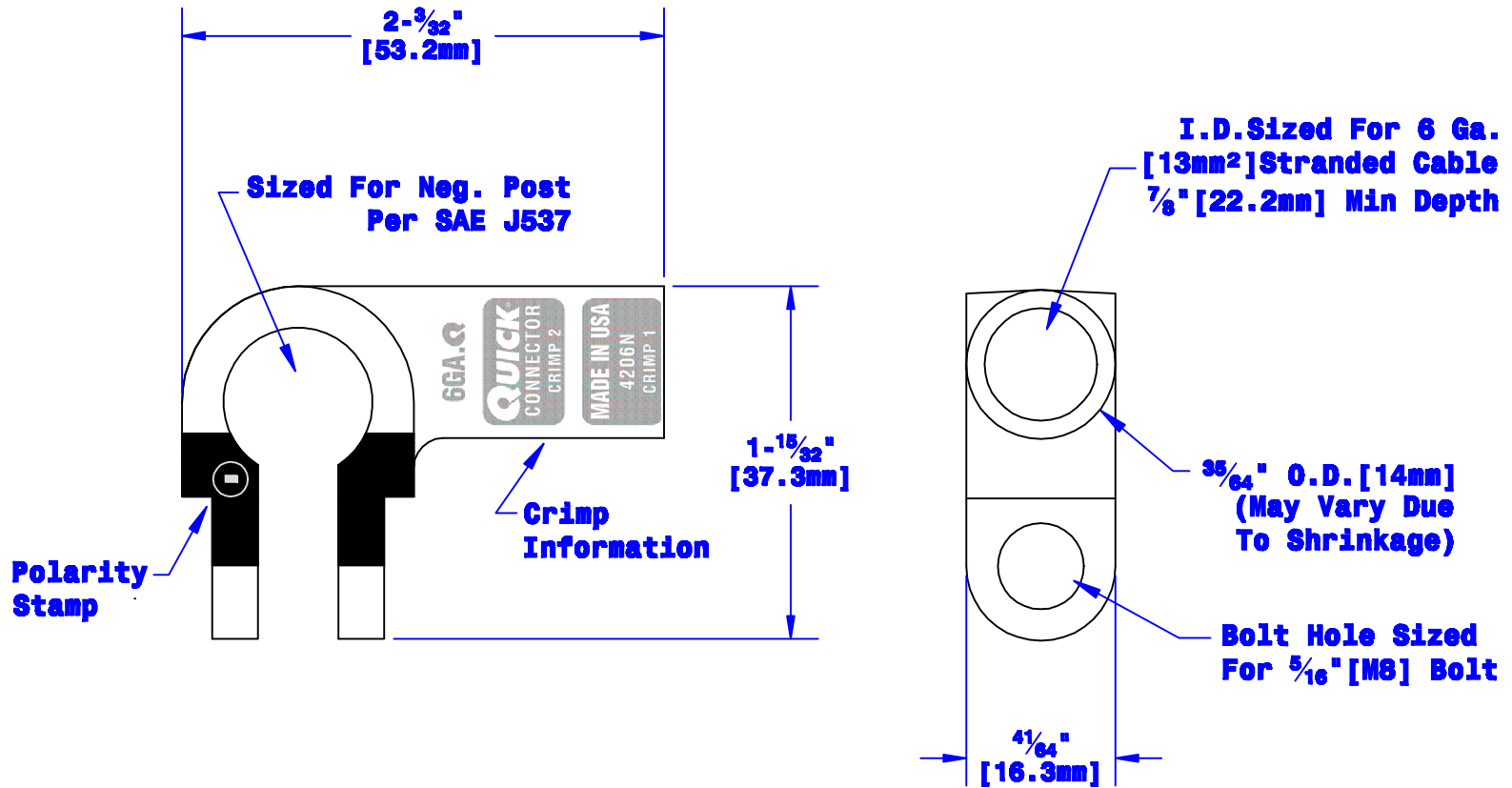


Quick Cable Reserves The Right to Alter Product Type, Their Technical Data, Dimensions, Style And Accessories Without Prior Notification.



<b>Property of</b> <b>QUICKCABLE®</b> 3700 Quick Drive Franksville, WI 53126 U.S.A. www.quickcable.com	TITLE
	Left Elbow, Neg. 6 Ga. [13mm²]
	PART #
	4206N

**Confidential and Proprietary Information**

					Drawn By	Date	Checked By	Scale	Material & Treatment High Conductivity Copper Alloy Tin Plated	Drawing #	REV
					Jim H	03-10-04	Mike E	None		4206N-INFO	B
					Tolerances, unless otherwise noted					Sheet 1 of 1	
					Dimensions are reference only						
<b>B</b>	05-03-12	2450	JMH	Redrawn; printing info updated							
Rev	Date	ECN#	By	Description							