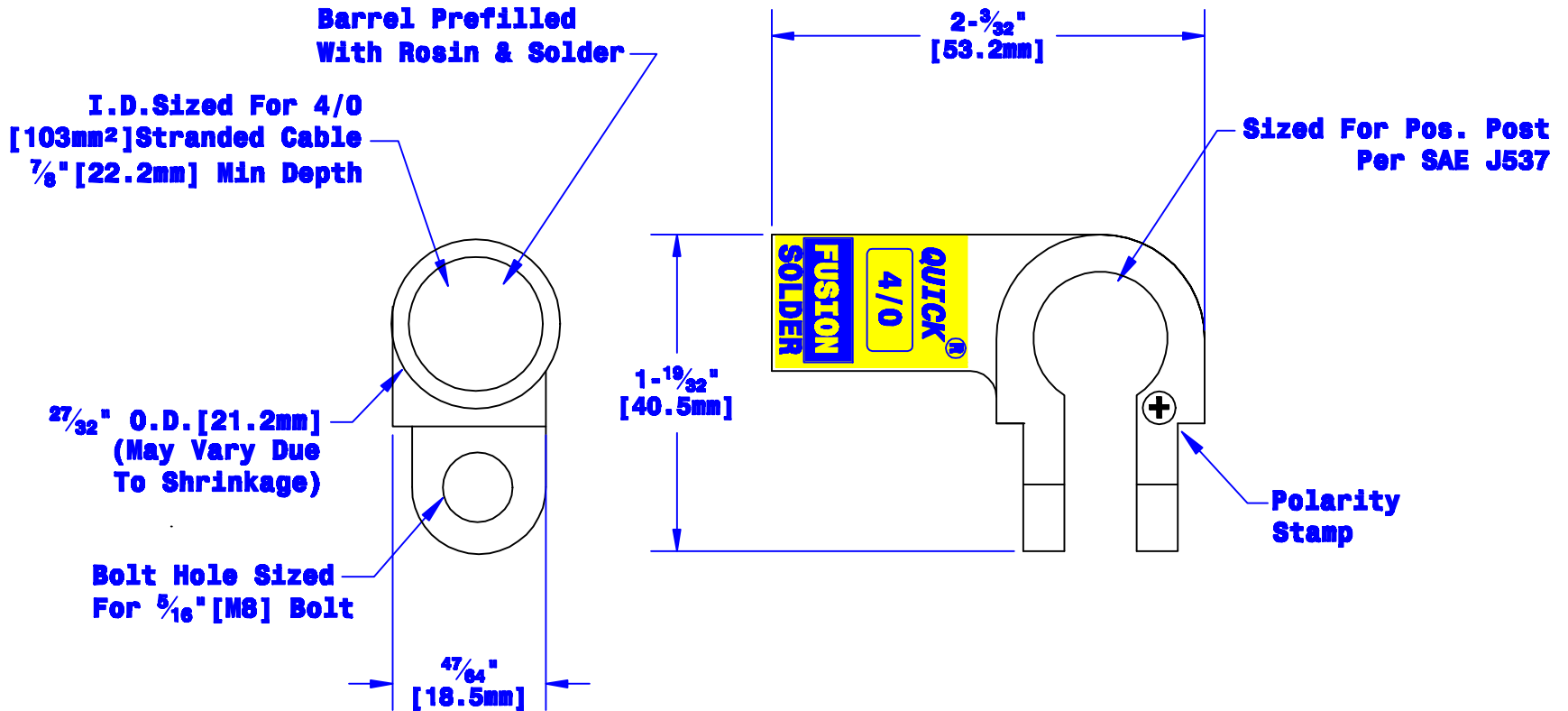


Quick Cable Reserves The Right to Alter Product Types, Their Technical Data, Dimensions, Style And Accessories Without Prior Notification.



Property of QUICKCABLE 3700 Quick Drive Frankville, WI 53126 U.S.A. www.quickcable.com	TITLE Right Elbow, Fusion 4/0 [103mm ²] Pos.
	PART # 416340P

Confidential and Proprietary Information

Material & Treatment High Conductivity Copper Alloy Tin Plated	Drawing # 416340P-INFO	REV A
Sheet 1 of 1		

					Drawn By Jim H	Date 06-19-06	Checked By Mike E	Scale None
					Tolerances, unless otherwise noted Dimensions are reference only			
Rev A	Date 07-20-12	ECH# 2459	By JMH	Description Redrawn; printing info updated				