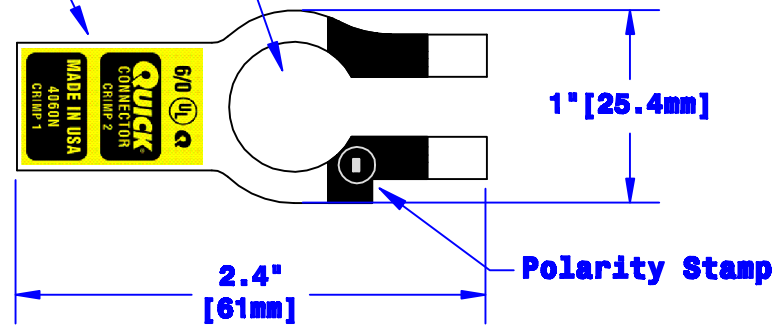


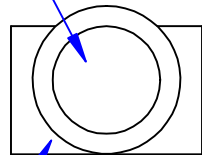
Quick Cable Reserves The Right to Alter Product Types, Their Technical Data, Dimensions, Style And Accessories Without Prior Notification.

Sized For Neg. Post
Per SAE J537

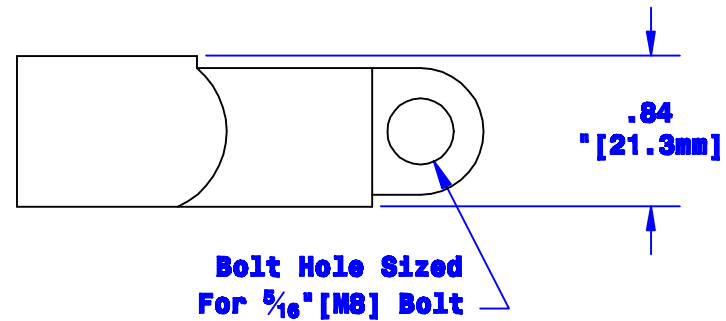
Crimp Information



I.D. Sized For 250 MCM
[126mm²] Stranded Cable
7/8" [22.2mm] Min Depth



.84" O.D. [21.3mm]
(May Vary Due
To Shrinkage)



Property of QUICKCABLE 3700 Quick Drive Frankville, WI 53126 U.S.A. www.quickcable.com	TITLE Straight Clamp 250 MCM [126mm²], Neg.
	PART # 4060N

Confidential and Proprietary Information

Material & Treatment High Conductivity Copper Alloy Tin Plated	Drawing # 4060N-Info Sheet 1 of 1	REV D
--	---	------------------------

					Drawn By Paul	Date 4-15-03	Checked By Roger	Scale None
					Tolerances, unless otherwise noted Dimensions are reference only			
Rev	Date	ECN#	By	Description				

D	02-20-12	2450	JMM	Redrawn; printing info updated
----------	----------	------	-----	--------------------------------