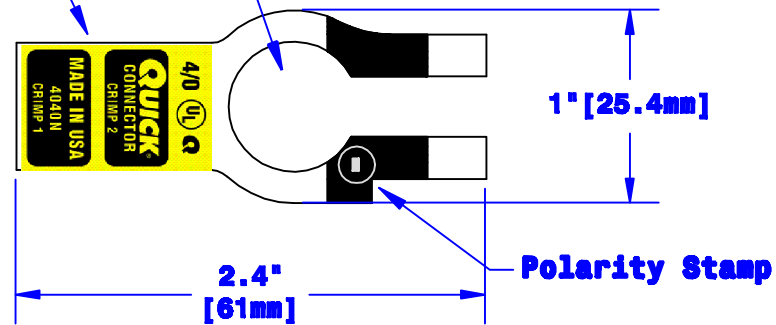


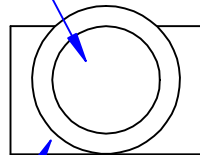
Quick Cable Reserves The Right to Alter Product Types, Their Technical Data, Dimensions, Style And Accessories Without Prior Notification.

Sized For Neg. Post
Per SAE J537

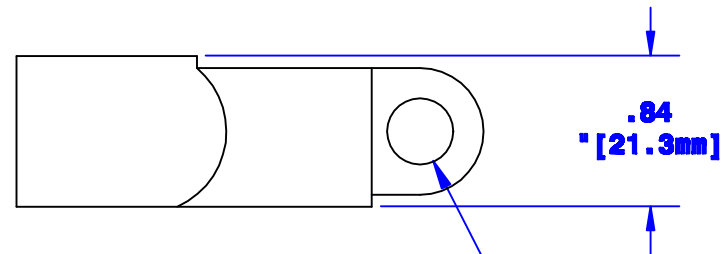
Crimp Information



I.D. Sized For 4/0
[103mm²] Stranded Cable
7/8" [22.2mm] Min Depth



.84" O.D. [21.3mm]
(May Vary Due
To Shrinkage)



Bolt Hole Sized
For 5/16" [M8] Bolt

Property of QUICKCABLE 3700 Quick Drive Franksville, WI 53126 U.S.A. www.quickcable.com	TITLE Straight Clamp 4/0 [103mm²], Neg.
	PART # 4040N

Confidential and Proprietary Information

Drawn By Paul	Date 4-15-03	Checked By Roger	Scale None
Tolerances, unless otherwise noted Dimensions are reference only			
D	02-20-12	2450	JMM
Rev	Date	ECH#	By
			Description
			Redrawn; printing info updated

Material & Treatment High Conductivity Copper Alloy Tin Plated	Drawing # 4040N-Info	REV D
	Sheet 1 of 1	