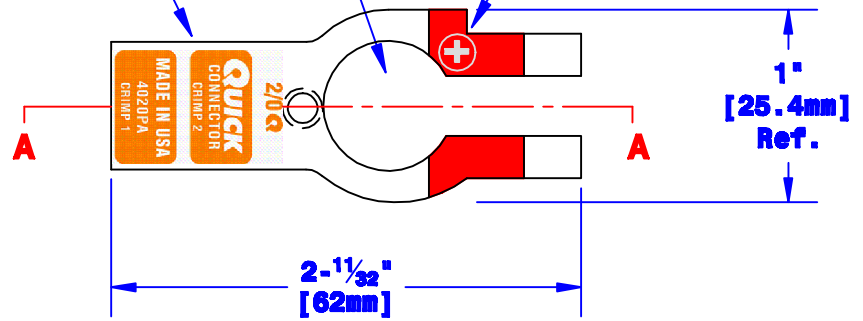


Quick Cable Reserves The Right to Alter Product Types, Their Technical Data, Dimensions, Style And Accessories Without Prior Notification.

**Sized For Pos. Post
Per SAE J537**

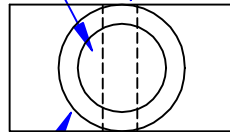
Crimp Information

Polarity Stamp

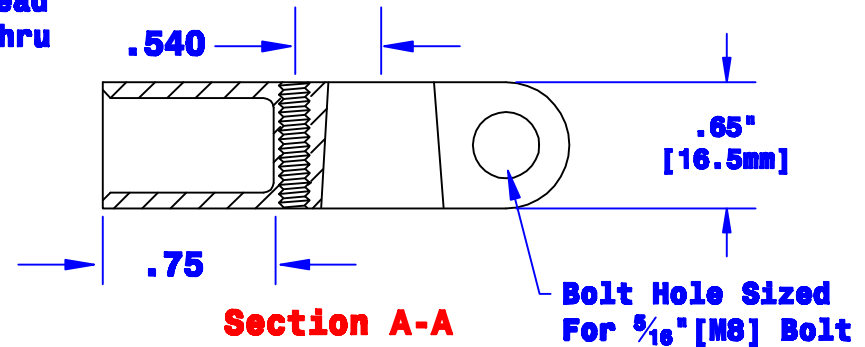


**I.D. Sized For 2/0
[62mm²] Stranded Cable
7/8" [22.2mm] Min Depth**

**10-24 Thread
Thru**



**.65" O.D. [16.5mm]
(May Vary Due
To Shrinkage)**



Property of QUICKCABLE® 3700 Quick Drive Frankville, WI 53126 U.S.A. www.quickcable.com	TITLE Straight Clamp 2/0 [62mm²], Pos. With Power Take-off
	PART # 4020PA

Confidential and Proprietary Information

Material & Treatment High Conductivity Copper Alloy Tin Plated	Drawing # 4020PA-Info	REV C
Sheet 1 of 1		

					Drawn By Jim H	Date 02-18-04	Checked By Mike E	Scale None
					Tolerances, unless otherwise noted Dimensions are reference only			
Rev C	Date 05-03-12	ECH# 2459	By JMM	Description Redrawn; printing info updated				