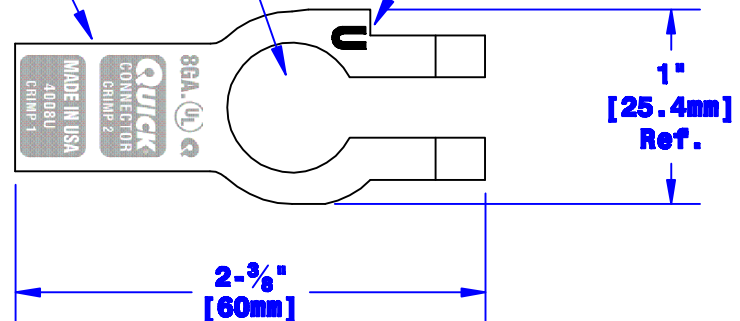


Quick Cable Reserves The Right to Alter Product Types, Their Technical Data, Dimensions, Style And Accessories Without Prior Notification.

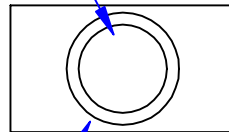
Univ. Clamp, Fits
SAE J537 Pos. or
Neg. Post

Crimp Information

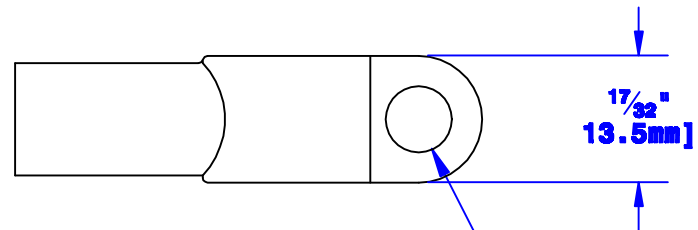
Polarity Stamp



I.D. Sized For 8 Ga.
[8mm²] Stranded Cable
7/8" [22.2mm] Min Depth



7/16" O.D. [11.1mm]
(May Vary Due
To Shrinkage)



Bolt Hole Sized
For 5/16" [M8] Bolt

Property of QUICKCABLE® 3700 Quick Drive Franksville, WI 53126 U.S.A. www.quickcable.com	TITLE Straight Clamp 8 Ga. [8mm²], Univ. PART # 4008U
--	---

Confidential and Proprietary Information

Material & Treatment High Conductivity Copper Alloy Tin Plated	Drawing # 4008U-INFO Sheet 1 of 1	REV C
---	--	-----------------

Drawn By Paul	Date 03-31-03	Checked By Roger	Scale None
Tolerances, unless otherwise noted Dimensions are reference only			
Rev C	Date 05-03-12	ECH# 2459	By JMM
Description Redrawn; printing info updated			