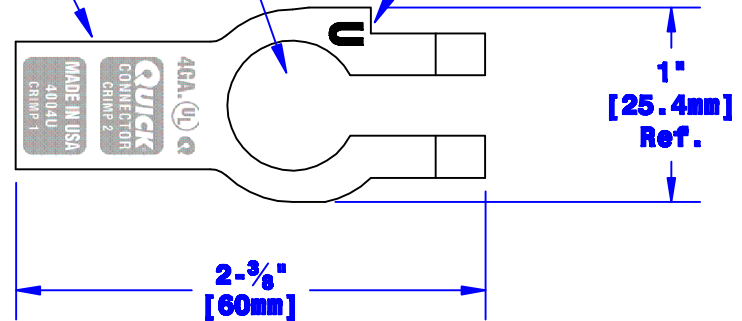


Quick Cable Reserves The Right to Alter Product Types, Their Technical Data, Dimensions, Style And Accessories Without Prior Notification.

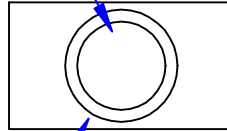
Univ. Clamp, Fits
SAE J537 Pos. or
Neg. Post

Crimp Information

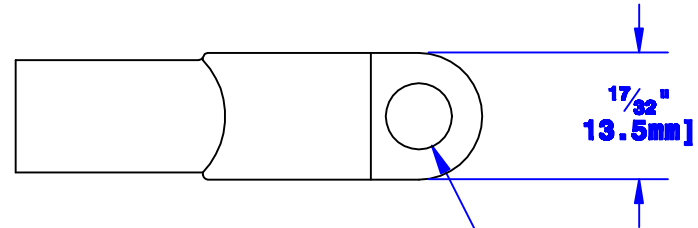
Polarity Stamp



I.D. Sized For 4 Ga.
[19mm²] Stranded Cable
 $\frac{7}{8}$ " [22.2mm] Min Depth



$\frac{7}{16}$ " O.D. [11.1mm]
(May Vary Due
To Shrinkage)



Bolt Hole Sized
For $\frac{5}{16}$ " [M8] Bolt

Property of		TITLE	
QUICKCABLE		Straight Clamp	
3700 Quick Drive Franksville, WI 53126 U.S.A. www.quickcable.com		4 Ga. [19mm ²], Univ.	
		PART #	
		4004U	
Confidential and Proprietary Information			
Material & Treatment		Drawing #	REV
High Conductivity Copper Alloy Tin Plated		4004U-INFO	C
		Sheet 1	of 1

					Drawn By	Date	Checked By	Scale
					Paul	03-31-03	Roger	None
					Tolerances, unless otherwise noted			
					Dimensions are reference only			
C	05-03-12	2459	JMH	Redrawn; printing info updated				
Rev	Date	ECH#	By	Description				