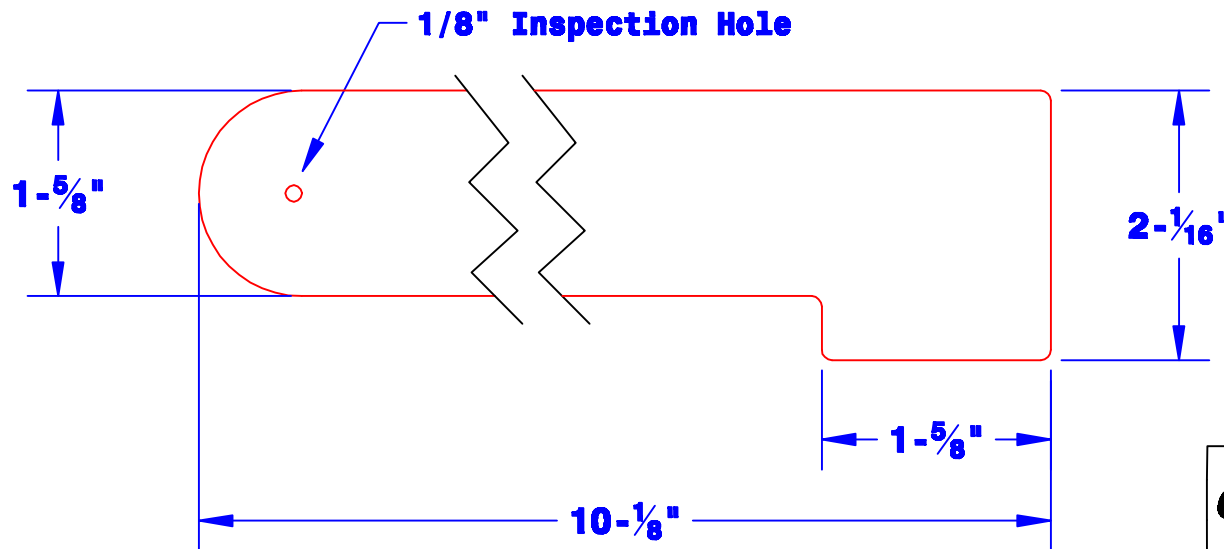


Wall Thickness
to be 1/16"



Property of QUICK CABLE 3700 Quick Drive Franksville, WI 53126 U.S.A. www.quickcable.com	TITLE Leadhead Shroud, Offset, 3-Hole	
	PART # 215831R	
Confidential and Proprietary Information		
Material & Treatment High Temperature MDPE, Black	Drawing # 215831R-Info	REV
	Sheet 1 of 1	

					Drawn By Jim H	Date 4-02-07	Checked By Mike E	Scale None
					Tolerances, unless otherwise noted Dimensions are reference only			
Rev	Date	ECN#	By	Description				