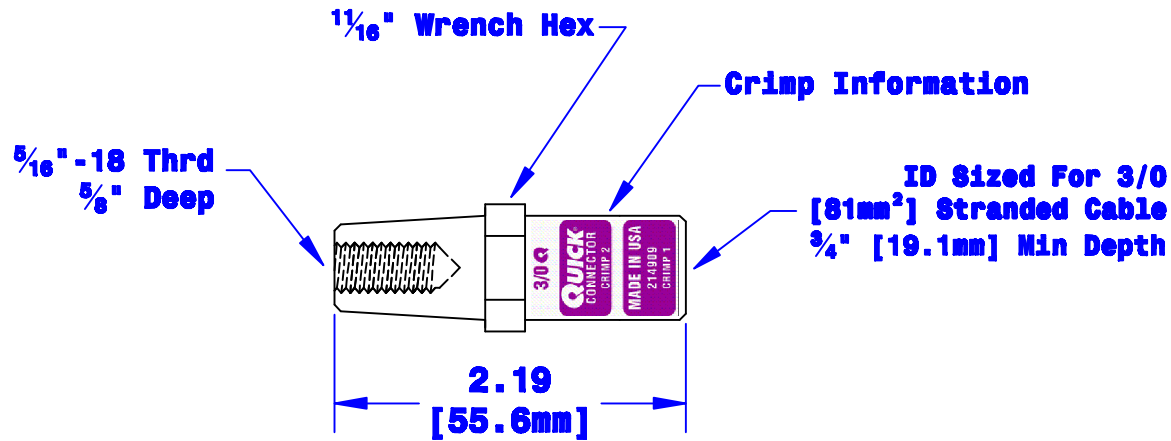


Quick Cable Reserves The Right to Alter Product Types, Their Technical Data, Dimensions, Style And Accessories Without Prior Notification.



Property of QUICKCABLE 3700 Quick Drive Franksville, WI 53126 U.S.A. www.quickcable.com	TITLE
	Thimble, 3/0[81mm ²] Crimp/Solder
	PART #
	214909

Confidential and Proprietary Information

				Drawn By	Date	Checked By	Scale	Material & Treatment	Drawing #	REV	
				Josh	09-14-04	Mike E	None	High Conductivity Brass Tin Plated	214909-Info	B	
B	02-09-12	2450	JMM	Redrawn; printing info updated						Sheet 1 of 1	
Rev	Date	ECH#	By	Description				Tolerances, unless otherwise noted Dimensions are reference only			