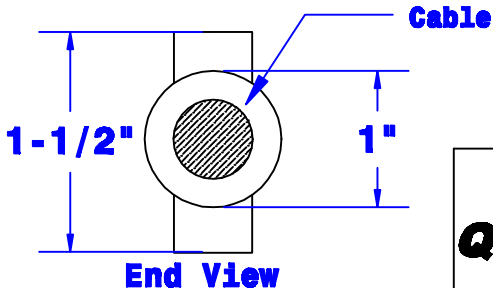
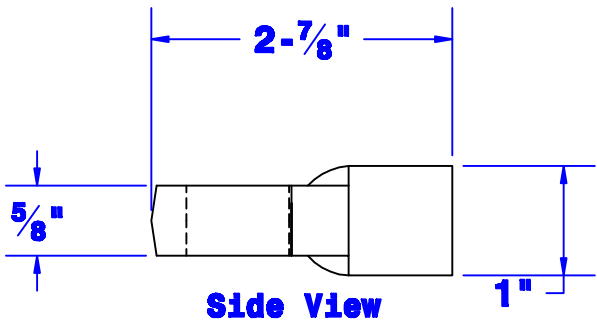
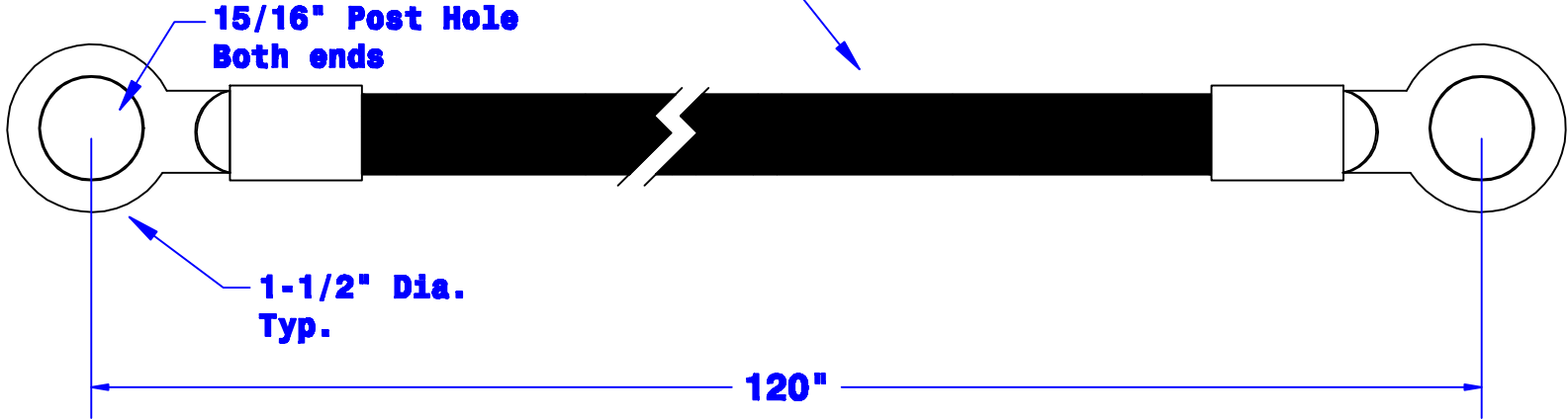


**2/0 Black Welding Cable
P/N 202107**



Property of QUICK CABLE 3700 Quick Dr. Frankville WI	TITLE Leadhead, Straight	
	PART # 214451	
Material & Treatment Welding Cable 600 Volt EPDM 5% Antimonial Lead	Drawing # 214451-Info	REV
	Sheet 1 of 1	

Rev	Date	ECN#	By	Description	Drawn By Josh E	Date 7-15-05	Checked By Jim H	Scale None
Tolerances, unless otherwise noted Length to be +/- 2"								