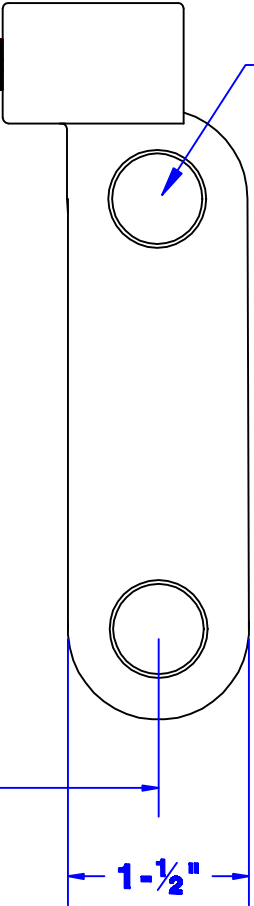
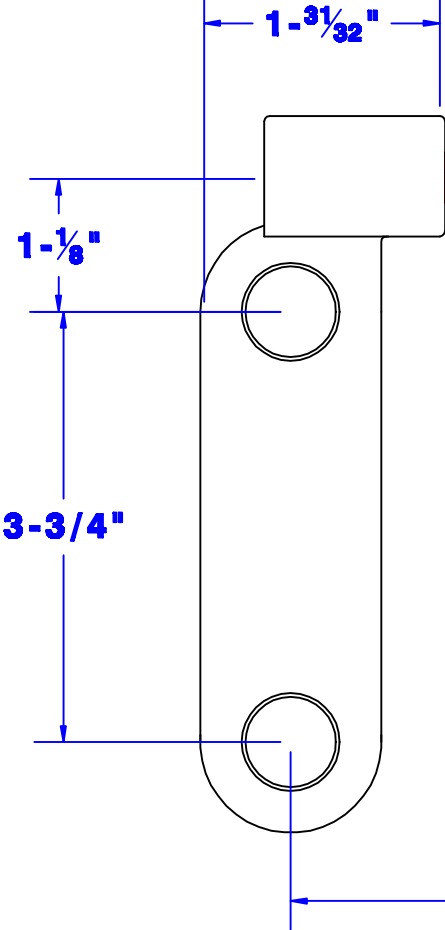
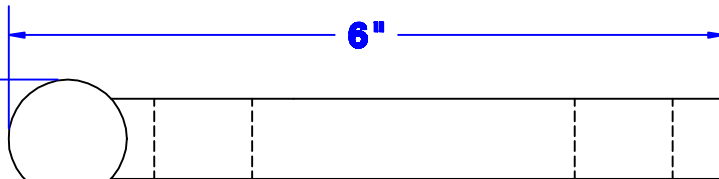


1/0 Black Welding Cable
P/N 202106

15/16" Post Hole
Both ends



120"



End View

Property of QUICK CABLE		TITLE Leadhead, Offset	
3700 Quick Dr. Frankville WI		PART # 214304	
Material & Treatment Welding Cable		Drawing # 214304-Info	
600 Volt EPDM		REV	
5% Antimonial Lead		Sheet 1 of 1	

Rev	Date	ECN#	By	Description	Drawn By Josh E.	Date 7-01-05	Checked By	Scale None
					Tolerance, unless otherwise noted Length to be +/- 2"			