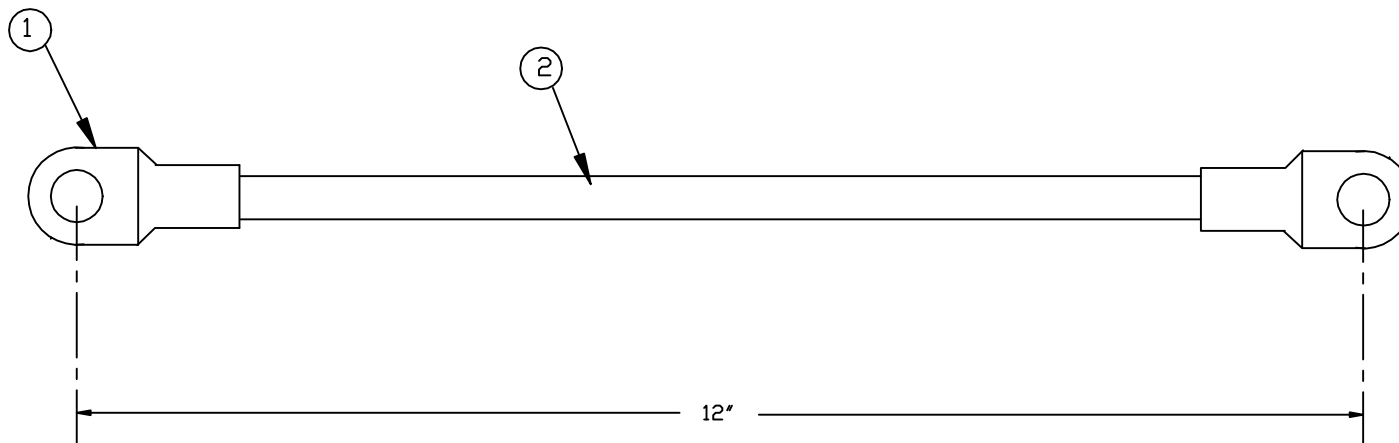


ITEM #	DESCRIPTION	PART #	QTY
1	Lug, Cu Tube, Tin Plated, 6 Ga, 3/8" Hole	5951F	2
2	Cable, Battery, 6 Ga Red 10 7/8"	200202	1



Property of QUICK CABLE 3700 Quick Dr. Frankville WI Material & Treatment	TITLE Cable Assembly (Golf Cart)	
	PART # 205609	
	Drawing # 205609-Info	REV
Sheet		Of

Rev	Date	By	Description

Drawn By	Date	Checked By	Scale
MEF	10/24/02	RAH	None
Tolerances, unless otherwise noted			
± 1/2" Total Length			