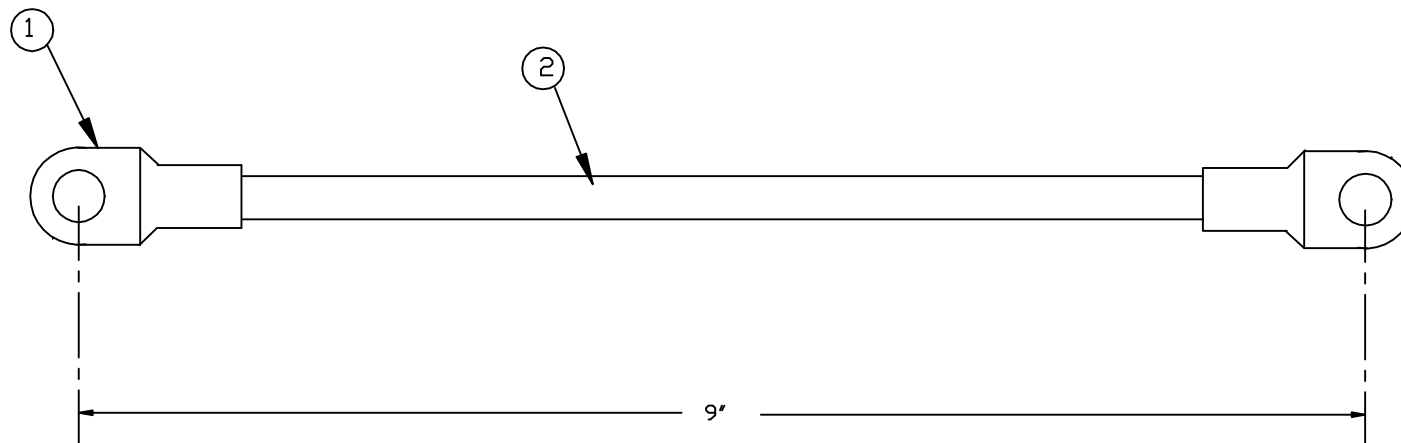


ITEM #	DESCRIPTION	PART #	QTY
1	Lug, Cu Tube, Tin Plated, 6 Ga, 3/8" Hole	5951F	2
2	Cable, Battery, 6 Ga Red 7 7/8"	200202	1



Property of QUICK CABLE 3700 Quick Dr. Frankville WI Material & Treatment	TITLE Cable Assembly (Golf Cart)	
	PART # 205607	
	Drawing # 205607-Info	REV
Sheet		Of

Rev	Date	By	Description

Drawn By MEF	Date 10/24/02	Checked By RAH	Scale None
Tolerances, unless otherwise noted			
$\pm 1/2"$ Total Length			