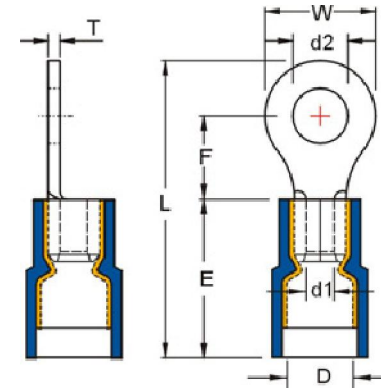


Quick Cable Reserves The Right to Alter Product Types, Their Technical Data, Dimensions, Style And Accessories without Prior Notification.

P/N	Gage	d2	W	F	L	E	D	d1	T
163103	22-18	#8	.315	.276	.858	.433	.177	.067	.030
163104	22-18	#10	.457	.433	1.094	.433	.177	.067	.030
163105	22-18	1/4"	.457	.433	1.094	.433	.177	.067	.030
163106	22-18	5/16"	.457	.433	1.094	.433	.177	.067	.030
163202	16-14	#6	.260	.248	.803	.433	.205	.091	.031
163203	16-14	#8	.335	.307	.898	.433	.205	.091	.031
163204	16-14	#10	.335	.307	.898	.433	.205	.091	.031
163205	16-14	1/4"	.472	.433	1.094	.433	.205	.091	.031
163206	16-14	5/16"	.472	.433	1.094	.433	.205	.091	.031
163207	16-14	3/8"	.535	.547	1.240	.433	.205	.091	.031
163403	12-10	#8	.374	.327	1.024	.512	.276	.134	.039
163404	12-10	#10	.374	.327	1.024	.512	.276	.134	.039
163405	12-10	1/4"	.472	.512	1.260	.512	.276	.134	.039
163406	12-10	5/16"	.591	.524	1.339	.512	.276	.134	.039
163407	12-10	3/8"	.591	.524	1.339	.512	.276	.134	.039
163408	12-10	1/2"	.756	.630	1.520	.512	.276	.134	.039



**Maximum Electric Current:**

<b>A.W.G.</b>	<b>22</b>	<b>20</b>	<b>18</b>	<b>16</b>	<b>14</b>	<b>12</b>	<b>10</b>
<b>AMP.</b>	<b>9</b>	<b>12</b>	<b>17</b>	<b>18</b>	<b>30</b>	<b>35</b>	<b>50</b>

**Maximum Electrical Rating: 105°C 600 Volts Max**  
**Insulation Material: Nylon**  
**Insulation Color:**  
**22-18 A.W.G.: Red**   
**16-14 A.W.G.: Blue**   
**12-10 A.W.G.: Yellow**   
**Double Crimp: With Copper Sleeve on Barrel**  
**Terminal Material: Copper**

<b>Property of</b> <b>QUICKCABLE®</b> 3700 Quick Drive Franksville, WI 53126 U.S.A. www.quickcable.com	<b>TITLE</b> <b>Ring Terminals,          Premium Nylon</b>
	<b>PART #</b> <b>163103-163408</b>
<b>Confidential and Proprietary Information</b>	
<b>Material &amp; Treatment</b>	<b>Drawing #</b> <b>C1007-Info</b>
<b>REV</b> Sheet 1 of 1	

Rev	Date	ECH#	By	Description

<b>Drawn By</b> <b>Jim H</b>	<b>Date</b> <b>05-13-11</b>	<b>Checked By</b> <b>Mike E</b>	<b>Scale</b> <b>None</b>
<b>Tolerances, unless otherwise noted</b>			
<b>Dimensions are reference only</b>			