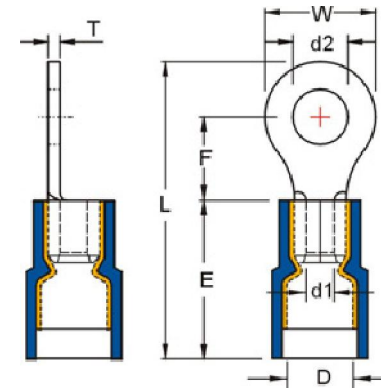


Quick Cable Reserves The Right to Alter Product Types, Their Technical Data, Dimensions, Style And Accessories without Prior Notification.

P/N	Gage	d2	W	F	L	E	D	d1	T
160101	22-18	#4	.217	.197	.689	.394	.157	.067	.030
160102	22-18	#6	.217	.197	.689	.394	.157	.067	.030
160103	22-18	#8	.315	.276	.818	.394	.157	.067	.030
160104	22-18	#10	.457	.276	.819	.394	.157	.067	.030
160105	22-18	1/4"	.457	.433	1.055	.394	.157	.067	.030
160106	22-18	5/16"	.457	.433	1.055	.394	.157	.067	.030
160107	22-18	3/8"	.535	.547	1.201	.394	.157	.067	.030
160201	16-14	#4	.260	.189	.701	.394	.177	.091	.031
160202	16-14	#6	.260	.189	.701	.394	.177	.091	.031
160203	16-14	#8	.335	.307	.858	.394	.177	.091	.031
160204	16-14	#10	.374	.287	.858	.394	.177	.091	.031
160205	16-14	1/4"	.472	.433	1.055	.394	.177	.091	.031
160206	16-14	5/16"	.472	.433	1.055	.394	.177	.091	.031
160207	16-14	3/8"	.535	.547	1.201	.394	.177	.091	.031
160208	16-14	1/2"	.756	.630	1.394	.394	.177	.091	.030
160402	12-10	#6	.283	.240	.894	.512	.252	.134	.039
160403	12-10	#8	.374	.327	1.024	.512	.252	.134	.039
160404	12-10	#10	.374	.327	1.024	.512	.252	.134	.039
160405	12-10	1/4"	.472	.413	1.161	.512	.252	.134	.039
160406	12-10	5/16"	.591	.524	1.339	.512	.252	.134	.039
160407	12-10	3/8"	.591	.524	1.339	.512	.252	.134	.039
160408	12-10	1/2"	.756	.630	1.520	.512	.252	.134	.039
160504	8	#10	.472	.366	1.260	.657	.335	.177	.047
160505	8	1/4"	.472	.366	1.240	.657	.335	.177	.047
160506	8	5/16"	.591	.535	1.496	.657	.335	.177	.047
160507	8	3/8"	.591	.535	1.496	.657	.335	.177	.047
160604	6	#10	.472	.524	1.646	.886	.413	.228	.059
160605	6	1/4"	.472	.524	1.646	.886	.413	.228	.059
160606	6	5/16"	.630	.559	1.752	.886	.413	.228	.059
160607	6	3/8"	.630	.559	1.752	.886	.413	.228	.059



Maximum Electrical Rating: 105°C 600 Volts Max

Insulation Material: PVC

Insulation Color:

22-16 A.W.G.: Red

16-14 A.W.G.: Blue

14-12 A.W.G.: Black

12-10 A.W.G.: Yellow

8 A.W.G.: Red

6 A.W.G.: Blue

Double Crimp: With Copper Sleeve on Barrel

Terminal Material: Copper

Maximum Electric Current:

A.W.G.	22	20	18	16	14	12	10	8	6
AMP.	9	12	17	18	30	35	50	70	95

Property of QUICKCABLE® 3700 Quick Drive Franksville, WI 53126 U.S.A. www.quickcable.com		TITLE Ring Terminals, PVC Insulation	
		PART # 160101-160607	
Confidential and Proprietary Information			
Material & Treatment		Drawing # C1008-Info	
		REV Sheet 1 of 1	

Rev	Date	ECH#	By	Description

Drawn By	Date	Checked By	Scale
Jim H	06-22-11	Mike E	None
Tolerances, unless otherwise noted Dimensions are reference only			