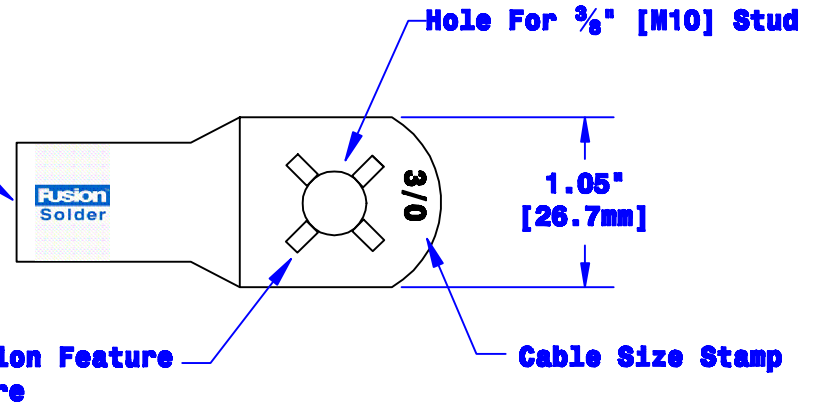
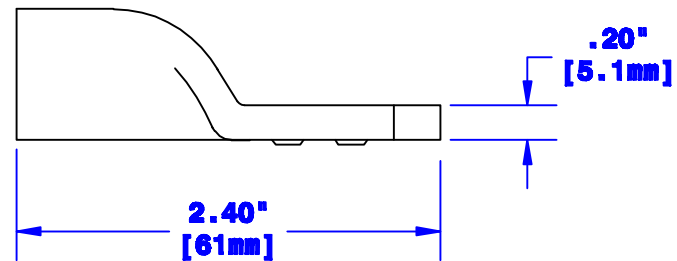
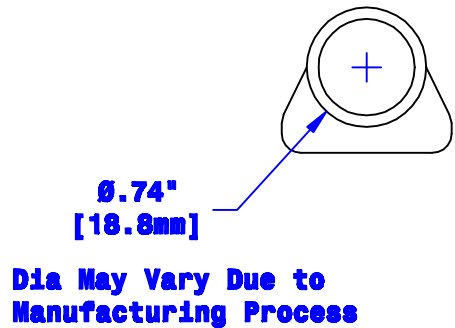


Quick Cable Reserves The Right to Alter Product Types, Their Technical Data, Dimensions, Style And Accessories Without Prior Notification.

Prefilled With Rosin & Solder
Sized for 3/0 [81mm²] Cable
3/4" [19.1mm] Min. Depth
Chamfered Lead-In, Both Ends



Anti-rotation Feature
Stamped Here



| | |
|-----------------------------------------------------------------------------------------------------------------------|--------------------------------------------------------------------------------|
| Property of QUICKCABLE® 3700 Quick Drive Franksville, WI 53126 U.S.A. www.quickcable.com | TITLE 3/0 [81mm ²] Magna Lug, Fusion Anti-Rotation |
| | PART # 141319 |

Confidential and Proprietary Information

| | | | | | | | | | | | |
|------------|-------------|-------------|-----------|--------------------------------|-----------------------------------------------------------------------------------|-------------------------|-----------------------------|----------------------|--------------------------------------------------------------|---------------------------------|-----------------|
| | | | | | Drawn By Jim H | Date 10-19-07 | Checked By Mike E | Scale None | Material & Treatment Copper Tube Tin Plated | Drawing # 141319-INFO | REV A |
| Rev | Date | ECN# | By | Description | Tolerances, unless otherwise noted Dimensions are reference only | | | | Sheet 1 of 1 | | |
| A | 04-10-12 | 2489 | JMM | Redrawn; printing info updated | | | | | | | |