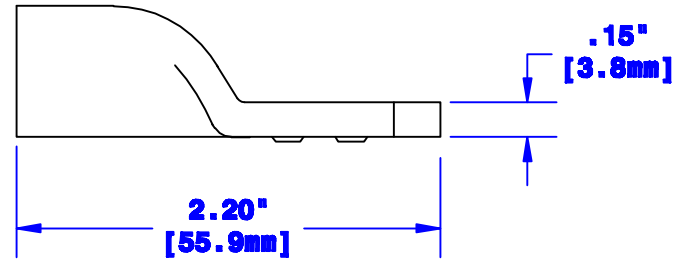
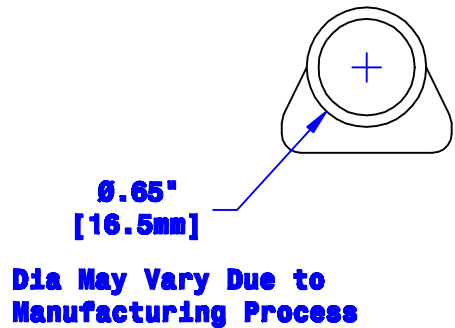
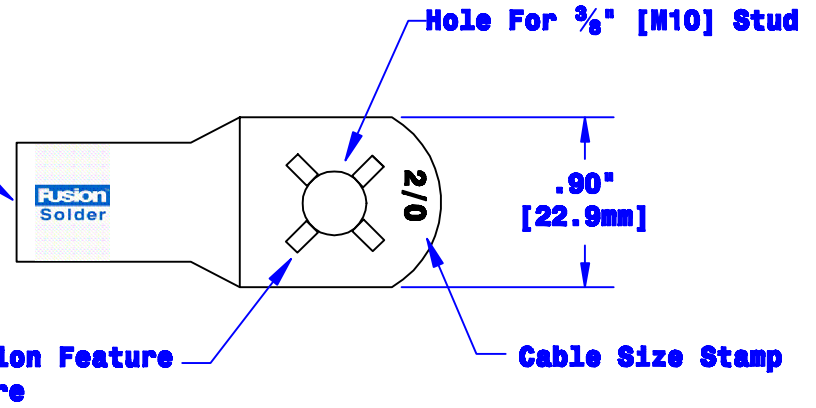


Quick Cable Reserves The Right to Alter Product Types, Their Technical Data, Dimensions, Style And Accessories Without Prior Notification.

Prefilled With Rosin & Solder
Sized for 2/0 [62mm²] Cable
3/4" [19.1mm] Min. Depth
Chamfered Lead-In, Both Ends



Property of QUICKCABLE® 3700 Quick Drive Franksville, WI 53126 U.S.A. www.quickcable.com	TITLE 2/0 [62mm ²] Magna Lug, Fusion Anti-Rotation
	PART # 141318

Confidential and Proprietary Information

Material & Treatment Copper Tube Tin Plated	Drawing # 141318-INFO Sheet 1 of 1	REV A
--	---	------------------------

				Drawn By Jim H	Date 10-19-07	Checked By Mike E	Scale None
Rev	Date	ECN#	By	Description			
A	04-10-12	2489	JMH	Redrawn; printing info updated			

Tolerances, unless otherwise noted
Dimensions are reference only