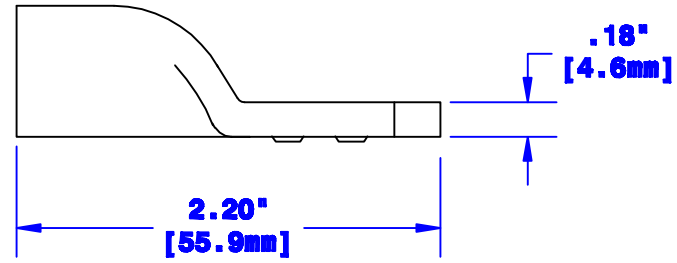
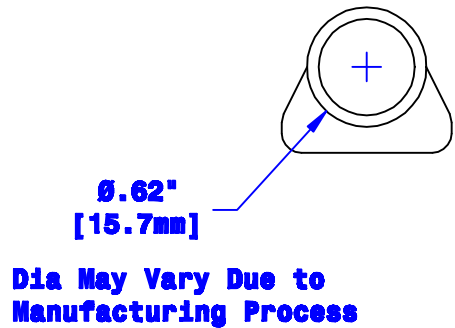
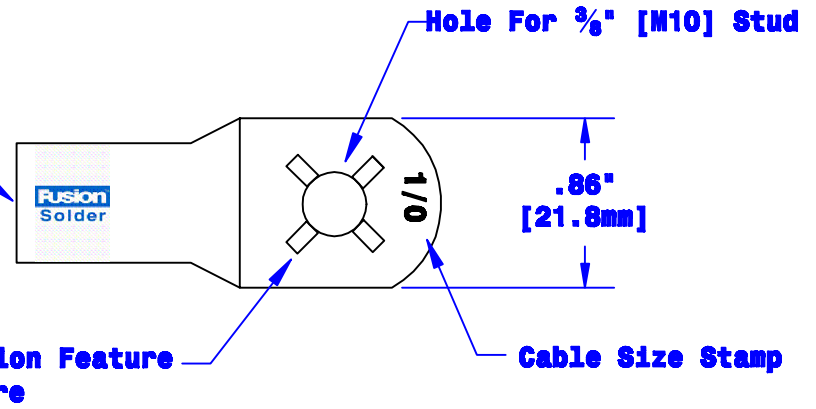


Quick Cable Reserves The Right to Alter Product Types, Their Technical Data, Dimensions, Style And Accessories Without Prior Notification.

Prefilled With Rosin & Solder
Sized for 1/0 [50mm²] Cable
3/4" [19.1mm] Min. Depth
Chamfered Lead-In, Both Ends



Property of QUICKCABLE 3700 Quick Drive Franksville, WI 53128 U.S.A. www.quickcable.com	TITLE 1/0 [50mm ²] Magna Lug, Fusion Anti-Rotation
	PART # 141317

Confidential and Proprietary Information

					Drawn By Jim H	Date 10-19-07	Checked By Mike E	Scale None	Material & Treatment Copper Tube Tin Plated	Drawing # 141317-INFO	REV A
A	04-10-12	2489	JMH	Redrawn; printing info updated	Tolerances, unless otherwise noted Dimensions are reference only					Sheet 1 of 1	
Rev	Date	ECN#	By	Description							