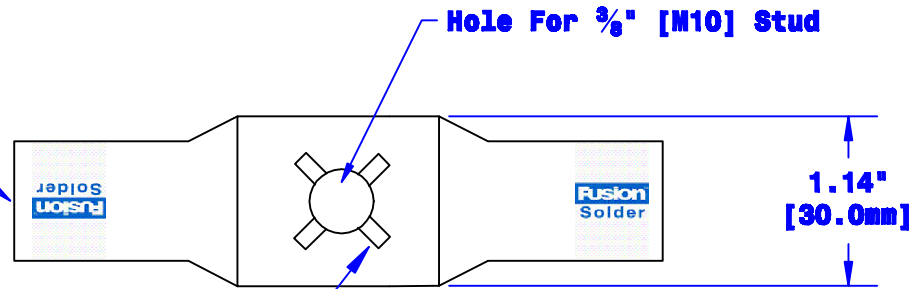
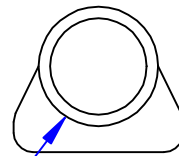


Quick Cable Reserves The Right to Alter Product Type, Their Technical Data, Dimensions, Style And Accessories Without Prior Notification.

Prefilled With Rosin & Solder
Sized for 4/0 [103mm²] Cable
3/4" [19.1mm] Min. Depth
Chamfered Lead-In, Both Ends

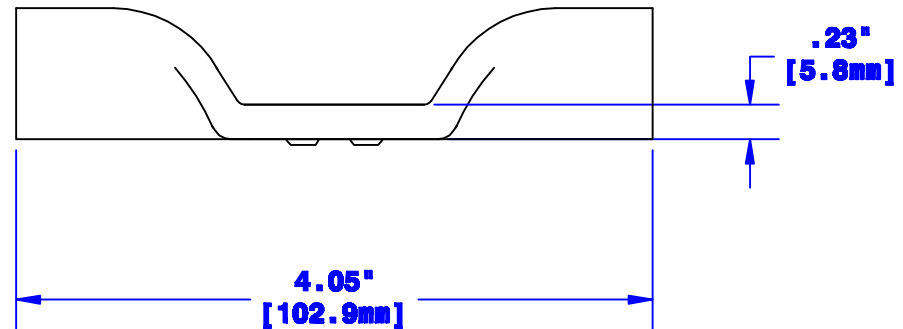


Anti-rotation Feature
Stamped Here



Ø.81"
[20.6mm]

Dia. May Vary Due to
Manufacturing Process



Property of QUICKCABLE 3700 Quick Drive Franksville, WI 53126 U.S.A. www.quickcable.com	TITLE 4/0[103mm²] MagnaLug Anti-Rotation Dual Cable, Fusion
	PART # 141310

Confidential and Proprietary Information

					Drawn By Jim H	Date 10-19-07	Checked By Mike E	Scale None	Material & Treatment Copper Tube Tin Plated	Drawing # 141310-Info	REV A
A	01-10-12	2489	JMM	Redrawn; printing info updated	Tolerances, unless otherwise noted Dimensions are reference only				Copper Tube Tin Plated	Sheet 1 of 1	
Rev	Date	ECN#	By	Description							