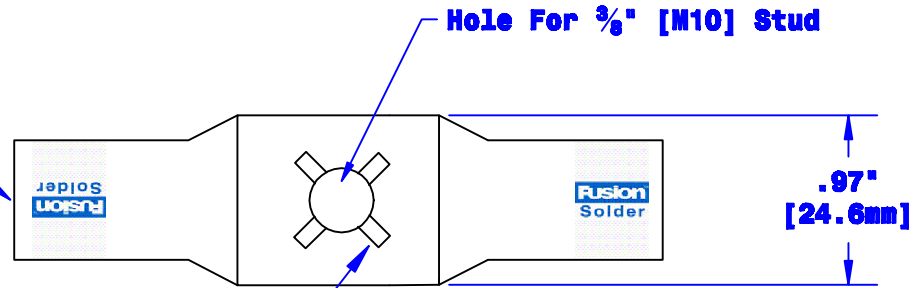
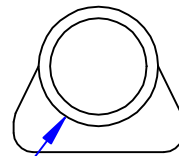


Quick Cable Reserves The Right to Alter Product Type, Their Technical Data, Dimensions, Style And Accessories Without Prior Notification.

Prefilled With Rosin & Solder  
Sized for 2/0 [62mm<sup>2</sup>] Cable  
3/4" [19.1mm] Min. Depth  
Chamfered Lead-In, Both Ends

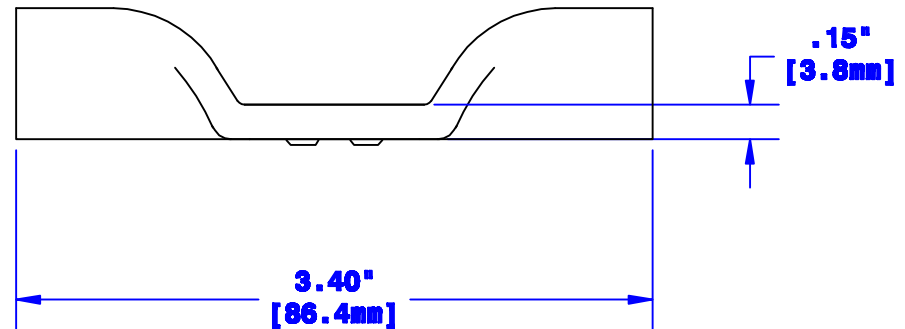


Anti-rotation Feature  
Stamped Here



Ø.65"  
[16.5mm]

Dia. May Vary Due to  
Manufacturing Process



<b>Property of</b> <b>QUICKCABLE</b> 3700 Quick Drive Franksville, WI 53126 U.S.A. www.quickcable.com	TITLE <b>2/0[62mm<sup>2</sup>] MagnaLug          Anti-Rotation          Dual Cable, Fusion</b>
	PART # <b>141308</b>

**Confidential and Proprietary Information**

					Drawn By <b>Jim H</b>	Date <b>10-19-07</b>	Checked By <b>Mike E</b>	Scale <b>None</b>	Material & Treatment <b>Copper Tube          Tin Plated</b>	Drawing # <b>141308-Info</b>	REV <b>A</b>
<b>A</b>	<b>01-10-12</b>	<b>2489</b>	<b>JMM</b>	<b>Redrawn; printing info updated</b>	Tolerances, unless otherwise noted <b>Dimensions are reference only</b>				<b>Copper Tube          Tin Plated</b>	Sheet <b>1</b> of <b>1</b>	
Rev	Date	ECN#	By	Description							