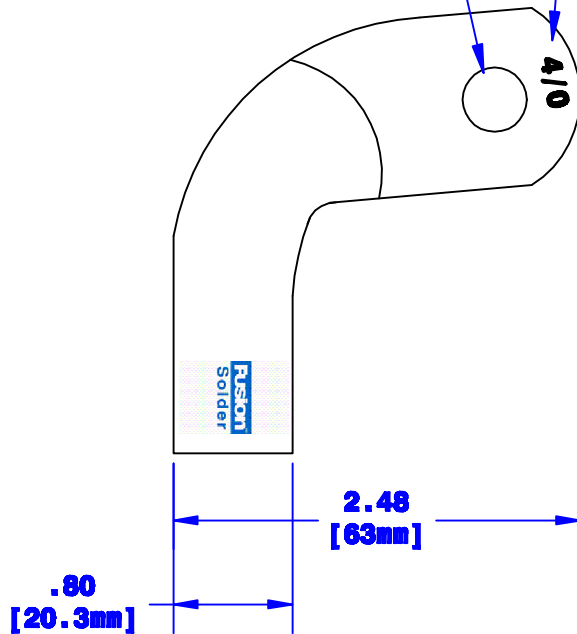


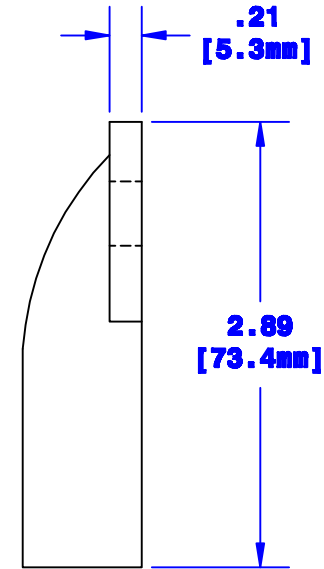
Quick Cable Reserves The Right to Alter Product Type, Their Technical Data, Dimensions, Style And Accessories Without Prior Notification.

Sized for 3/8" [M10] Stud

Cable Size Stamp



Dia May Vary Due to Manufacturing Process



Prefilled With Rosin & Solder  
Sized for 4/0 [103mm<sup>2</sup>] Cable  
3/4" [19.1mm] Min. Depth

<b>Property of</b> <b>QUICKCABLE</b> 3700 Quick Drive Franksville, WI 53126 U.S.A. www.quickcable.com	TITLE
	MagnaLug, Elbow 4/0 [103mm <sup>2</sup> ] Fusion
	PART #
	141210

**Confidential and Proprietary Information**

				Drawn By	Date	Checked By	Scale
				Jim H	10-13-06	Mike E	None
<b>A</b>	04-13-12	2450	JMH	Redrawn; printing info updated			
Rev	Date	ECN#	By	Description			

Tolerances, unless otherwise noted  
Dimensions are reference only

<b>Material &amp; Treatment</b> <b>Copper Tube</b> <b>Tin Plated</b>	Drawing #	REV
	141210-Info	<b>A</b>
Sheet 1 of 1		