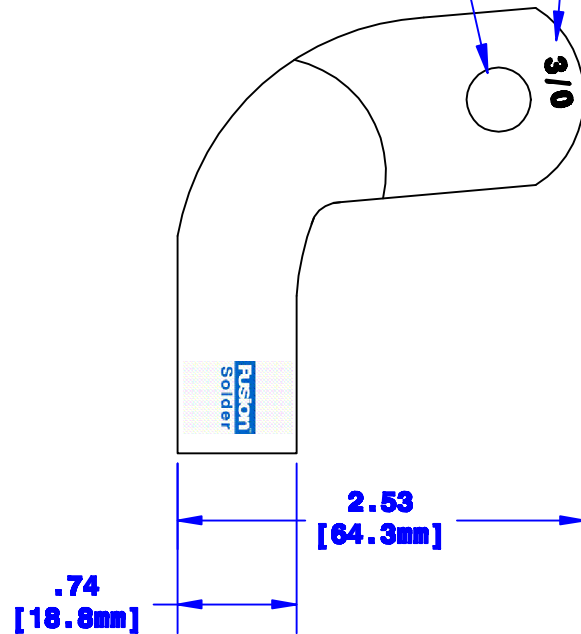


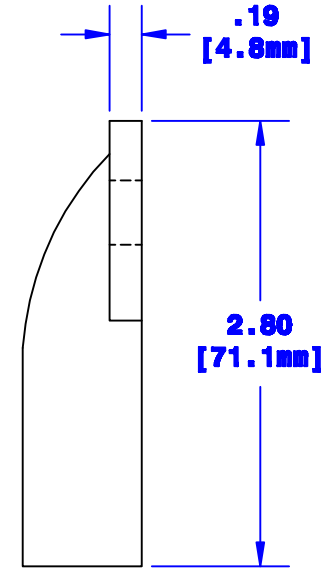
Quick Cable Reserves The Right to Alter Product Type, Their Technical Data, Dimensions, Style And Accessories Without Prior Notification.

Sized for 3/8" [M10] Stud

Cable Size Stamp



Dia May Vary Due to Manufacturing Process



Prefilled With Rosin & Solder
Sized for 3/0 [81mm²] Cable
3/4" [19.1mm] Min. Depth

Property of QUICKCABLE 3700 Quick Drive Franksville, WI 53126 U.S.A. www.quickcable.com	TITLE MagnaLug, Elbow 3/0 [81mm ²] Fusion
	PART # 141209

Confidential and Proprietary Information

				Drawn By Jim H	Date 10-13-08	Checked By Mike E	Scale None
A	04-13-12	2450	JMH	Redrawn; printing info updated			
Rev	Date	ECN#	By	Description			

Tolerances, unless otherwise noted
Dimensions are reference only

Material & Treatment Copper Tube Tin Plated	Drawing # 141209-Info	REV A
	Sheet 1 of 1	